

Parts Catalog

Admiral 28 Cylindrical Scrubber



Table of Contents

| | |
|---|----|
| Front bounce protection (97116834)..... | 4 |
| Wheel suspension (97103725)..... | 6 |
| Chassis (97115422)..... | 8 |
| (97114763)..... | 10 |
| Steering (97073738)..... | 12 |
| Seat bracket (97118616)..... | 14 |
| Drive sensor (available; no.: 06001800) (06001800)..... | 16 |
| Pedal, brake - Parking brake (97075386)..... | 18 |
| Tank (Available! No.: 01077140) (01077140)..... | 20 |
| Hopper cover (97078505)..... | 24 |
| Suction unit (97079370)..... | 26 |
| Lifting assy suction base unit part1 (97117980-1)..... | 28 |
| Lifting assy suction base unit part2 (97117980-2)..... | 30 |
| Squeegee 950mm part 1 (97108997-1)..... | 32 |
| Squeegee 950mm part 2 (97108997-2)..... | 34 |
| Wiper cpl. (97116628)..... | 36 |
| Cylindrical brush drive aggregate (97117774 7090-48)..... | 42 |
| Electrics, part 1 (97116735-1)..... | 59 |
| Electrics, part 2 (97116735-2)..... | 65 |
| Wiring without On-board-charger (97116743)..... | 69 |
| Labels (97116586)..... | 71 |

This manual covers all standard Admiral 28 models:

Model No.

The machine will provide excellent service. However, the best results will be obtained if:

- The machine is operated with reasonable care.
- The machine is maintained regularly per the maintenance schedule in the instruction manual provided.
- The machine is maintained with PowerBoss OEM supplied or equivalent parts.

All right side and left side references to the machine are determined by facing the direction of forward travel. Parts may be ordered by phone or mail from any PowerBoss parts and service center. Before ordering parts or supplies be sure to have your machine model number and serial number handy.

Fill out the data block below for future reference.

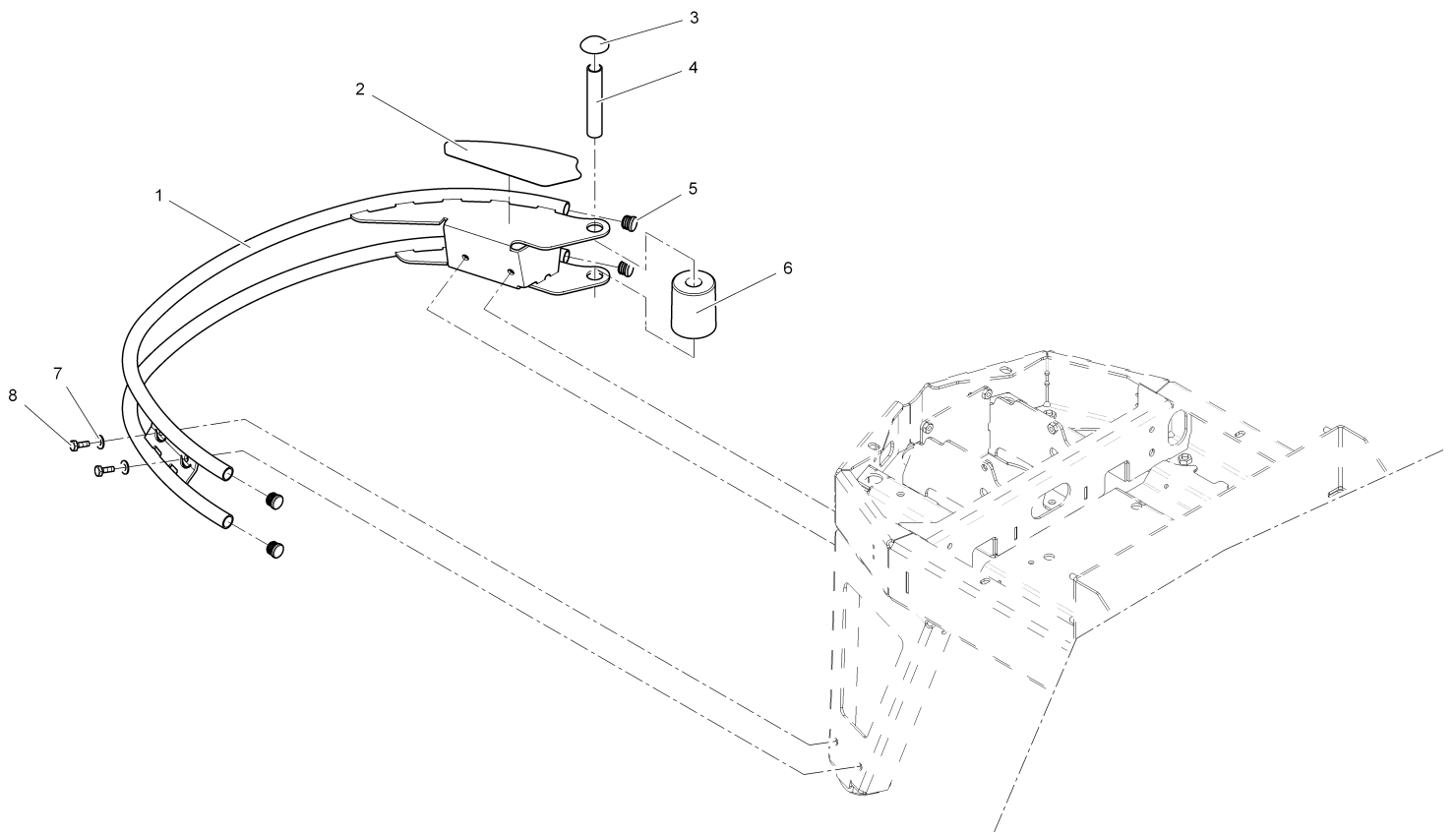
| | |
|--|------------|
| MACHINE DATA Fill Out At Installation | |
| Model: | Admiral 28 |
| Serial Number: | _____ |
| Sales Rep or Dealer | _____ |
| Date of Install: | _____ |
| Manual p/n: | 4100014 |

All information contained in this manual is current at the time of printing However, PowerBoss Reserves the right to make changes at any time without notice.

© 2012, Powerboss, Inc., Printed in USA

All rights reserved. This manual may not be copied or reproduced in any form, without the written permission of PowerBoss, Inc.

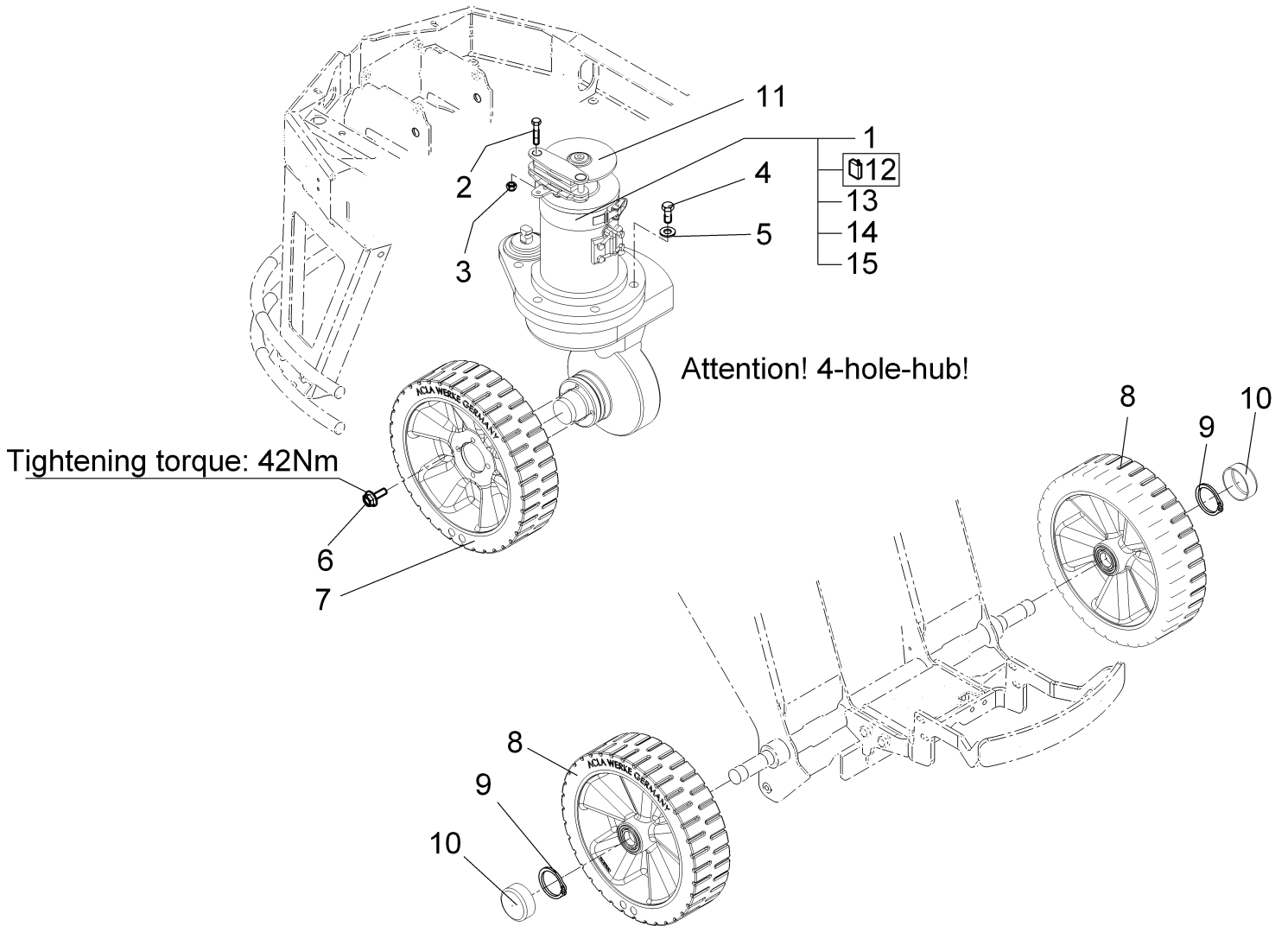
Front bounce protection (97116834)



Front bounce protection (97116834)

| Item | Part number | Description | Qty. | Remarks |
|-------------|--------------------|---------------------|-------------|----------------|
| 1 | 01071630 | Tube bow | 1 | |
| 2 | 01071230 | Decal | 1 | |
| 3 | 00072270 | Thrust washer | 1 | |
| 4 | 00901590 | Pipe | 1 | |
| 5 | 01073310 | Drain plug | 4 | |
| 6 | 01057290 | Rejecting role | 1 | |
| 7 | 00740090 | Detent edged washer | 4 | |
| 8 | 00053090 | Hexagon screw | 4 | |

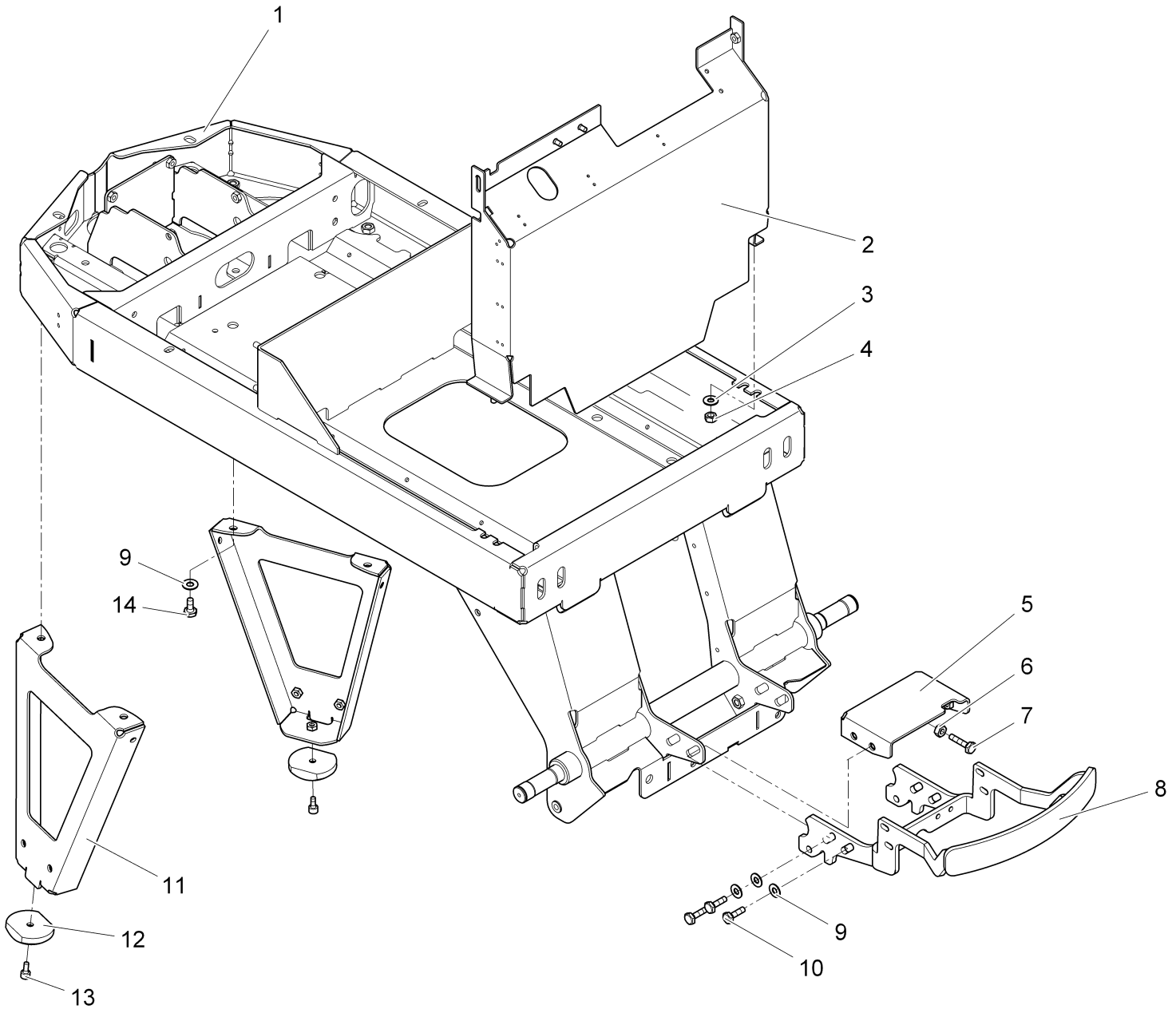
Wheel suspension (97103725)



Wheel suspension (97103725)

| Item | Part number | Description | Qty. | Remarks |
|------|-------------|-------------------------|------|--------------------------|
| 1 | 01175310 | One wheel drive | 1 | |
| 2 | 00535110 | Hex.bolt | 2 | |
| 3 | 00051520 | Hexagon nut | 2 | |
| 4 | 00055460 | Hex.bolt | 6 | |
| 5 | 00740290 | Detent edged washer | 6 | |
| 6 | 01171260 | Hexagon screw | 4 | Tightening torque: 42 Nm |
| 7 | 01175320 | Wheel | 1 | |
| 8 | 01071650 | Wheel | 2 | |
| 9 | 00022460 | Retaining ring | 2 | |
| 10 | 01171530 | Cap | 2 | |
| 11 | 01073660 | Brake repair set | 1 | |
| 12 | 01075790 | Set (4pc.) carbon brush | 1 | |
| 13 | 01174180 | Cap | 1 | |
| 14 | 01174190 | Protecting ring | 1 | |
| 15 | 01274270 | Geared ring | 1 | |

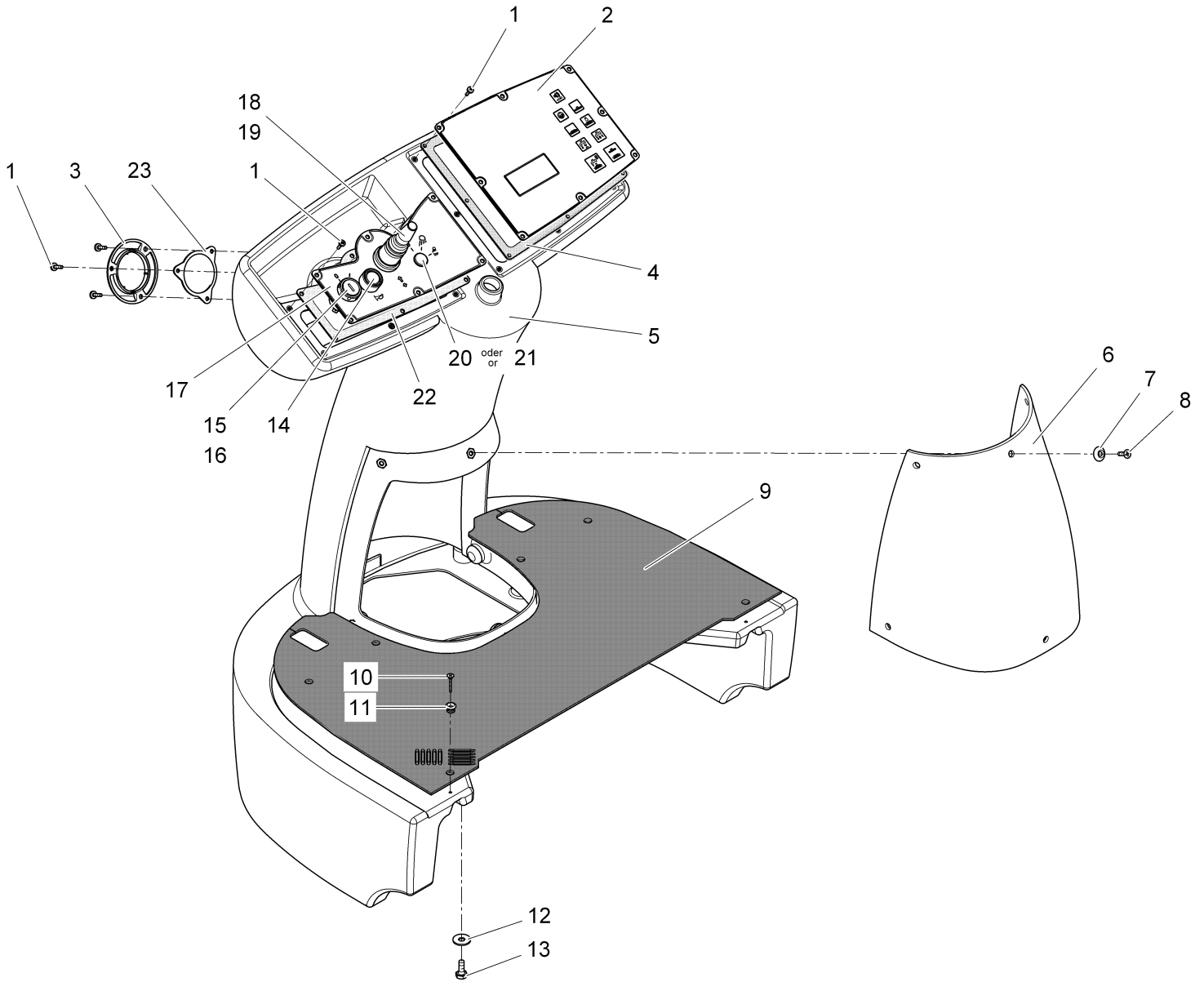
Chassis (97115422)



Chassis (97115422)

| Item | Part number | Description | Qty. | Remarks |
|------|-------------|-------------------------------|------|---------|
| 1 | 03009870 | Chassis | 1 | |
| 2 | 03000260 | Sheet metal | 2 | |
| 3 | 00740090 | Detent edged washer | 2 | |
| 4 | 00053350 | Hexagon nut | 2 | |
| 5 | 03000270 | Plate, cpl. | 1 | |
| 6 | 00053360 | Hexagon nut | 1 | |
| 7 | 00053170 | Hexagon screw | 1 | |
| 8 | 01071640 | Starting protection rear side | 1 | |
| 9 | 00740290 | Detent edged washer | 10 | |
| 10 | 00053170 | Hexagon screw | 6 | |
| 11 | 01071240 | Support plate | 2 | |
| 12 | 01070970 | Stay | 2 | |
| 13 | 00154410 | Cylinder head screw | 2 | |
| 14 | 00021130 | Hex.bolt | 4 | |

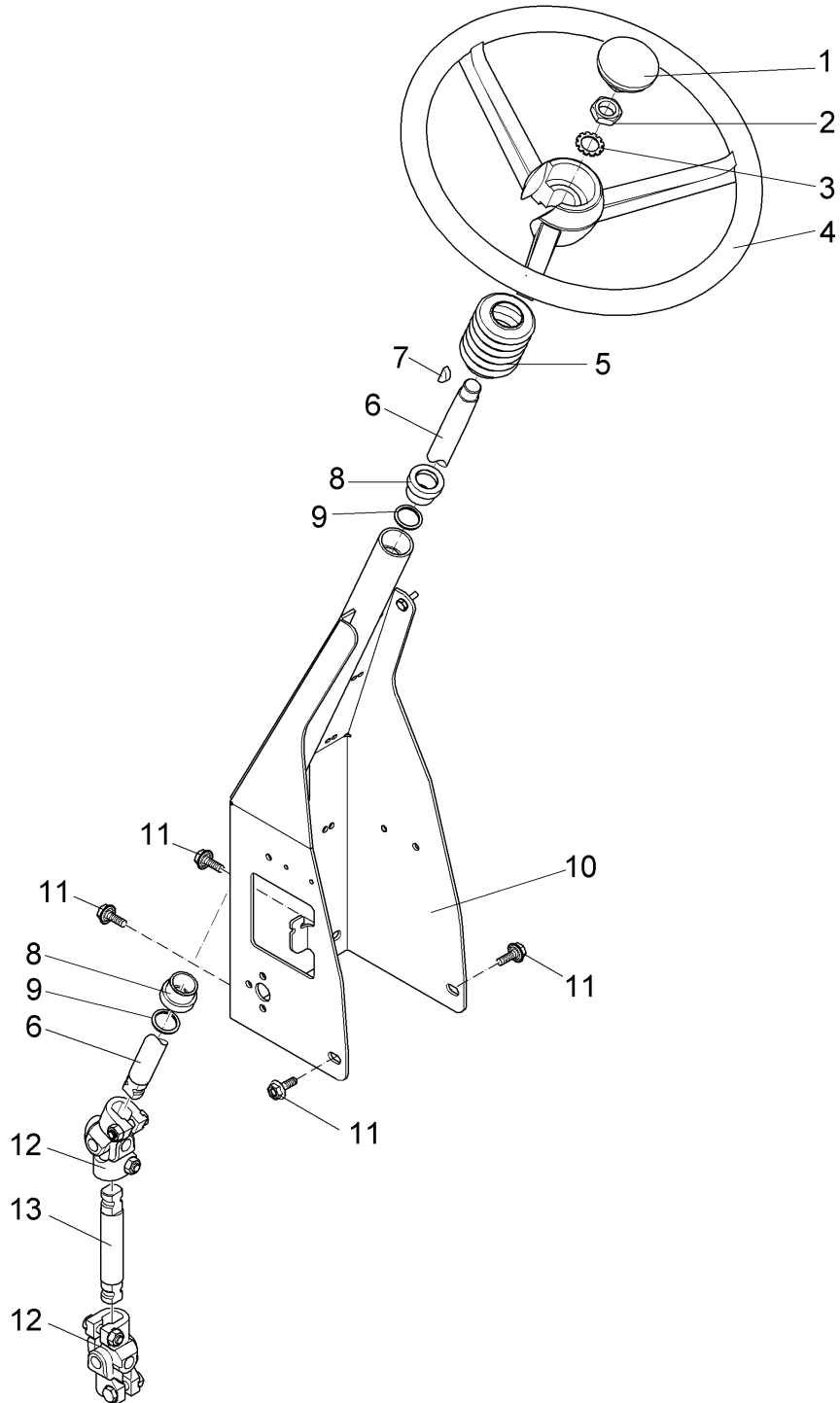
(97114763)



(97114763)

| Item | Part number | Description | Qty. | Remarks |
|------|-------------|-------------------|------|---------|
| 1 | 01072790 | Truss head screw | 17 | |
| 2 | 01273600 | Control panel | 1 | |
| 3 | 03000280 | Cap | 1 | |
| 4 | 01070980 | Seal | 1 | |
| 5 | 01073070 | Steering | 1 | |
| 6 | 01170930 | Hood | 1 | |
| 7 | 00157690 | Annular plate | 6 | |
| 8 | 00154680 | Countersunk screw | 6 | |
| 9 | 01071680 | Bottom plate | 1 | |
| 10 | 01073120 | Amtec screw | 6 | |
| 11 | 01073130 | Knob | 6 | |
| 12 | 00740080 | Washer | 4 | |
| 13 | 00553690 | Hex.bolt | 4 | |
| 14 | 00133770 | Press switch | 1 | |
| 15 | 00021710 | Key switch | 1 | |
| 16 | 00745890 | Set (2pc.) key | 1 | |
| 17 | 01274090 | Sheet metal | 1 | |
| 18 | 00697630 | Switch | 1 | |
| 19 | 01074110 | Rubber cap | 1 | |
| 20 | 00740360 | Cable sleeve | 1 | |
| 21 | 01073320 | Rotary switch | 1 | |
| 22 | 01070990 | Seal | 1 | |
| 23 | 01072000 | Seal | 1 | |

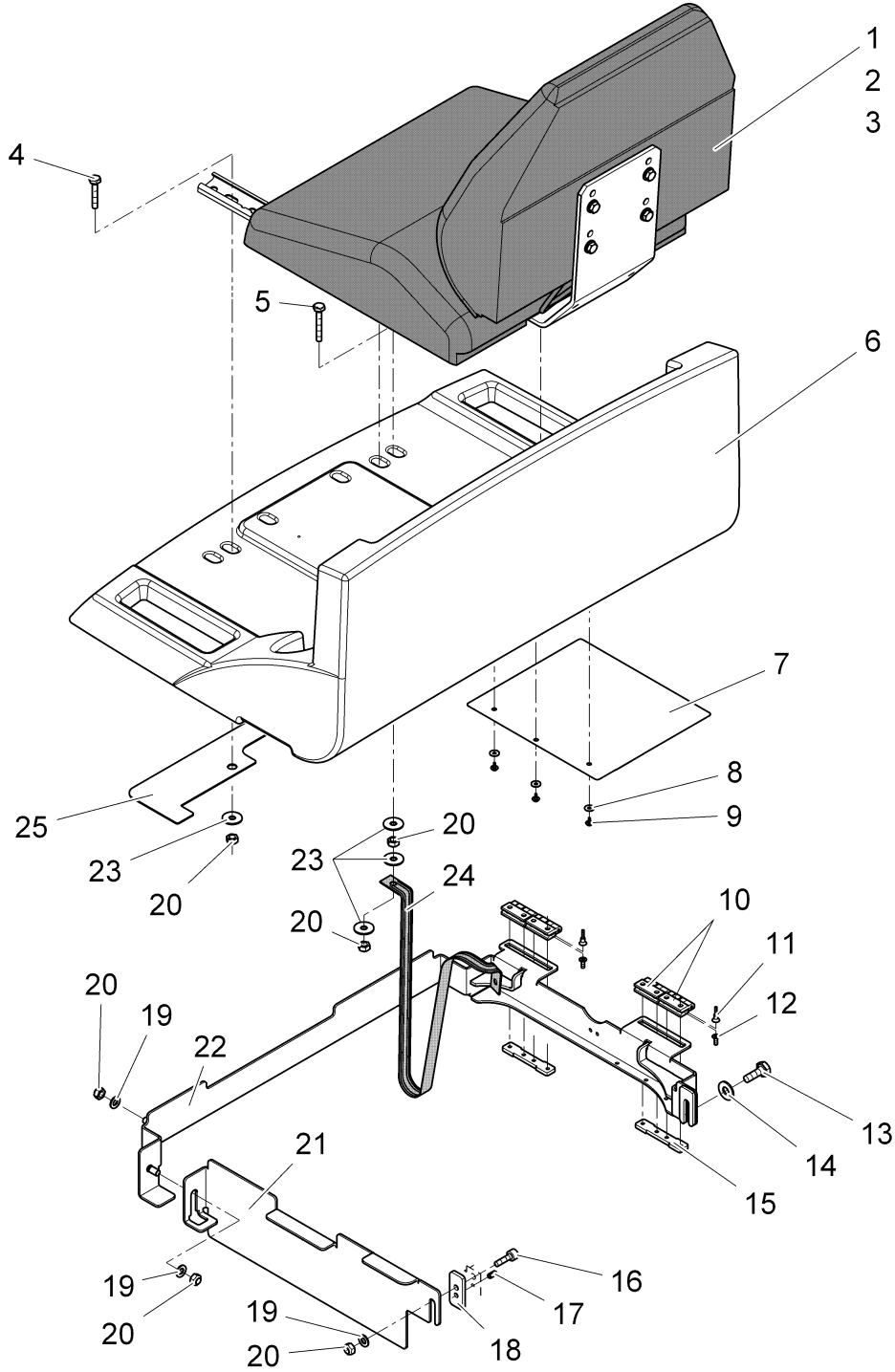
Steering (97073738)



Steering (97073738)

| Item | Part number | Description | Qty. | Remarks |
|------|-------------|-----------------------|------|---------|
| 1 | 01140650 | Cap | 1 | |
| 2 | 00074350 | Hex. Nut | 1 | |
| 3 | 00075290 | Toothed washer | 1 | |
| 4 | 00770220 | Steering wheel | 1 | |
| 5 | 01054880 | Bellows | 1 | |
| 6 | 00980760 | Shaft | 1 | |
| 7 | 00153600 | Woodruff key | 1 | |
| 8 | 00523630 | Bushing | 2 | |
| 9 | 00554400 | O-ring oil resistant | 2 | |
| 10 | 03000320 | Holder steering wheel | 1 | |
| 11 | 00959310 | Hex.bolt | 4 | |
| 12 | 00746040 | Cardan joint | 2 | |
| 13 | 00975430 | Shaft | 1 | |

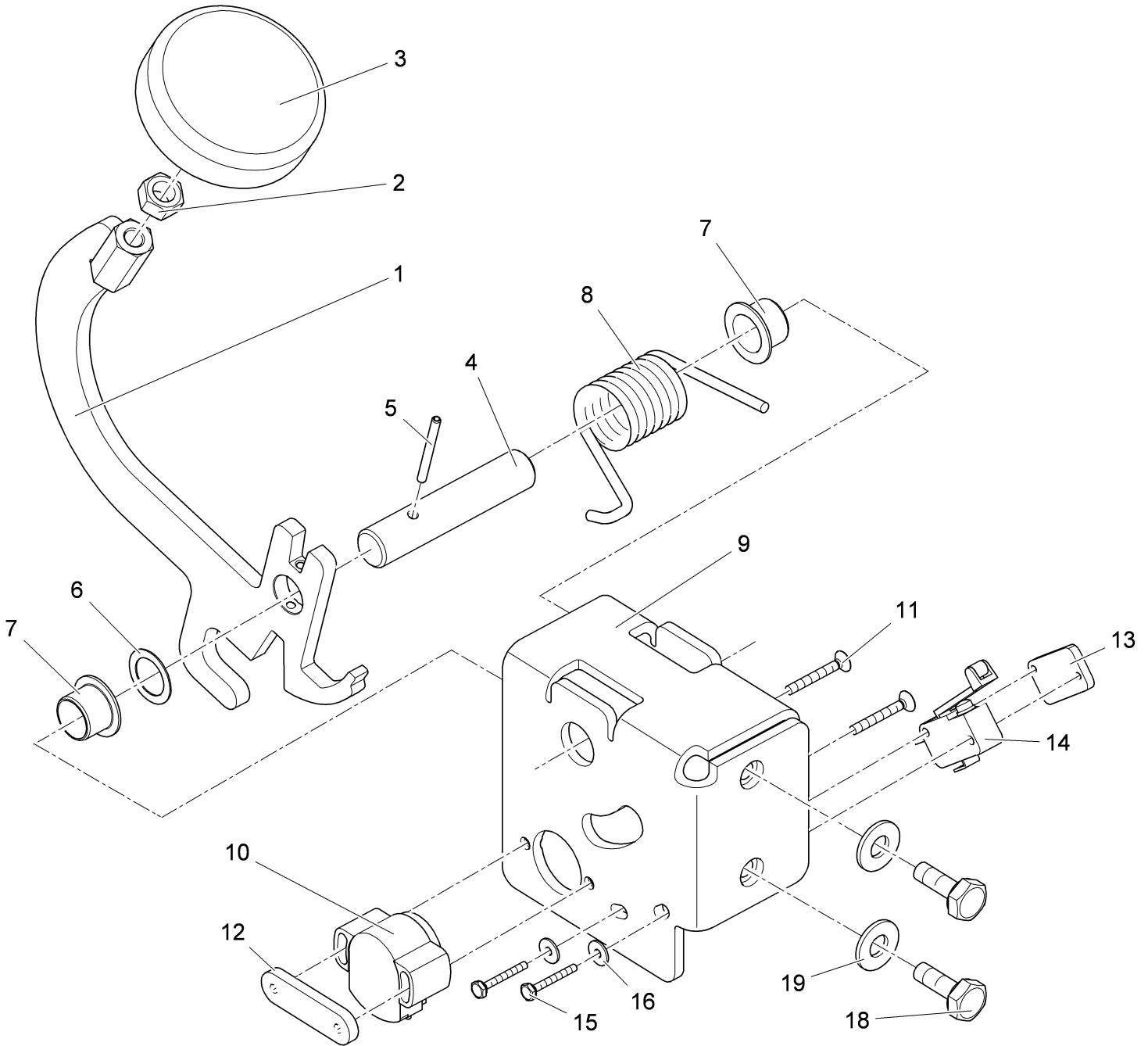
Seat bracket (97118616)



Seat bracket (97118616)

| Item | Part number | Description | Qty. | Remarks |
|------|-------------|---------------------|------|--|
| 1 | 01071360 | Seat | 1 | |
| 2 | 01073290 | Micro switch | 1 | |
| 3 | XXXXXXXX | no part-No. til yet | 1 | Chair cushion SC76 incl. seat switch 01073290 |
| 4 | 00133700 | Hexagon screw | 3 | |
| 5 | 00053260 | Hex.bolt | 1 | |
| 6 | 03010250 | Seat group | 1 | |
| 7 | 01078280 | Bag | 1 | |
| 8 | 00557150 | Washer | 3 | |
| 9 | 01170850 | Screw | 3 | |
| 10 | 00029230 | Hinge | 4 | |
| 11 | 01063420 | Self tapping screw | 8 | |
| 12 | 00073160 | Countersunk screw | 8 | |
| 13 | 00053090 | Hexagon screw | 1 | |
| 14 | 00740090 | Detent edged washer | 1 | |
| 15 | 01072970 | Adjusting latch | 2 | |
| 16 | 00103300 | Socket head screw | 1 | |
| 17 | 00107140 | Dowel pin | 1 | |
| 18 | 01072960 | Adjusting latch | 2 | |
| 19 | 00053750 | Washer | 4 | |
| 20 | 00051510 | Hexagon nut | 9 | |
| 21 | 03000620 | Intermediate sheet | 1 | |
| 22 | 03000340 | Plate | 2 | |
| 23 | 00042900 | Washer | 6 | |
| 24 | 01055740 | Belt | 1 | |
| 25 | 03000630 | Plate contact | 1 | |

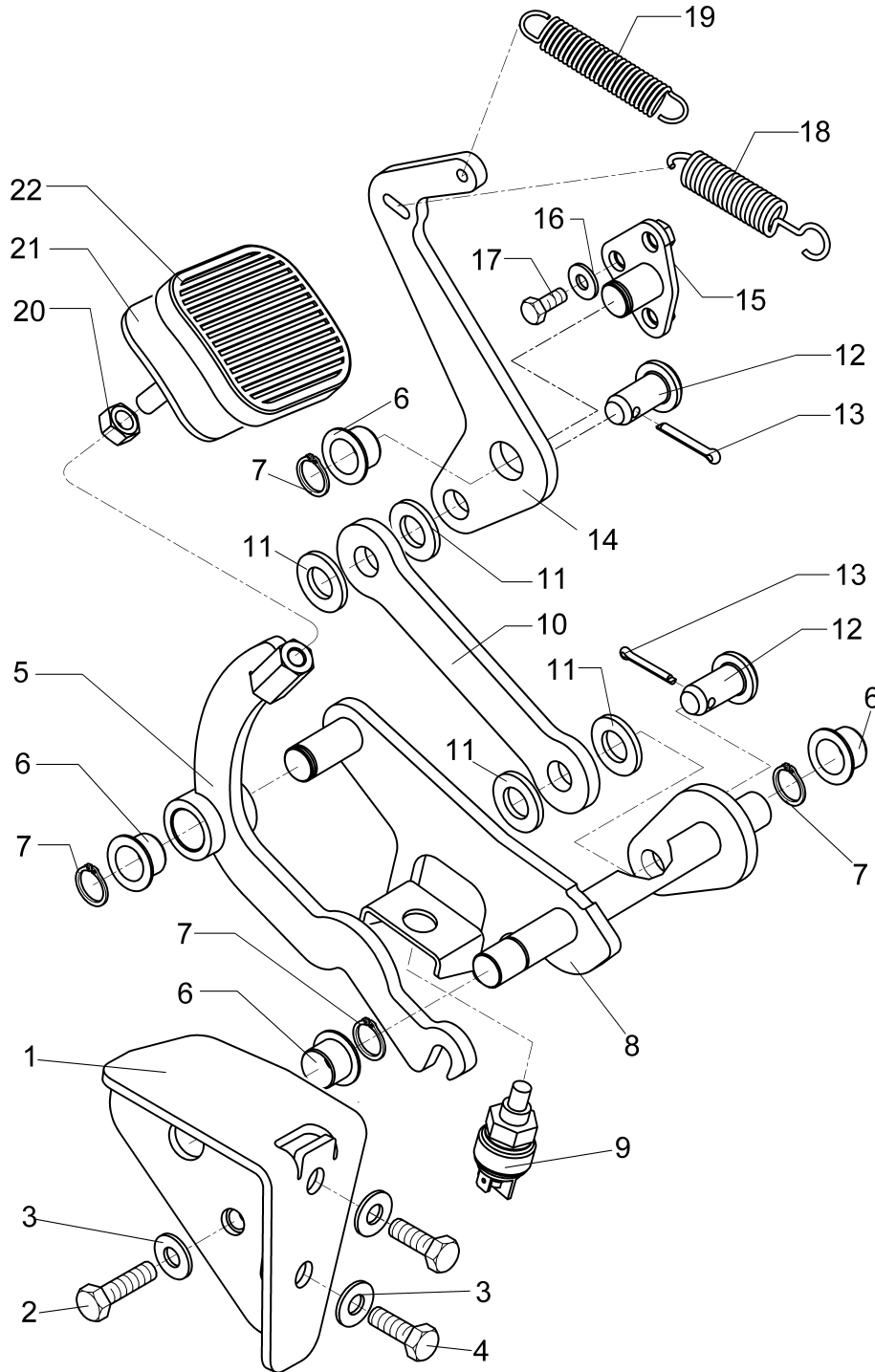
Drive sensor (available; no.: 06001800) (06001800)



Drive sensor (available; no.: 06001800) (06001800)

| Item | Part number | Description | Qty. | Remarks |
|------|-------------|---------------------|------|---------|
| 1 | 01071260 | Cam | 1 | |
| 2 | 00053350 | Hexagon nut | 1 | |
| 3 | 01071270 | Sealing cover | 1 | |
| 4 | 01071280 | Shaft | 1 | |
| 5 | 01073260 | Dowel pin | 1 | |
| 6 | 00906020 | Adjusting washer | 1 | |
| 7 | 01058400 | Plain bearing bush | 2 | |
| 8 | 01073140 | Leg spring | 1 | |
| 9 | 03000300 | U-bow | 1 | |
| 10 | 01058390 | Potentiometer, cpl. | 1 | |
| 11 | 00737690 | Countersunk screw | 1 | |
| 12 | 01074850 | Thread base plate | 1 | |
| 13 | 01074840 | Thread base plate | 1 | |
| 14 | 00975510 | Micro switch | 2 | |
| 15 | 00022180 | Hex.bolt | 2 | |
| 16 | 00747400 | Washer | 2 | |
| 18 | 00053090 | Hexagon screw | 2 | |
| 19 | 00740090 | Detent edged washer | 2 | |

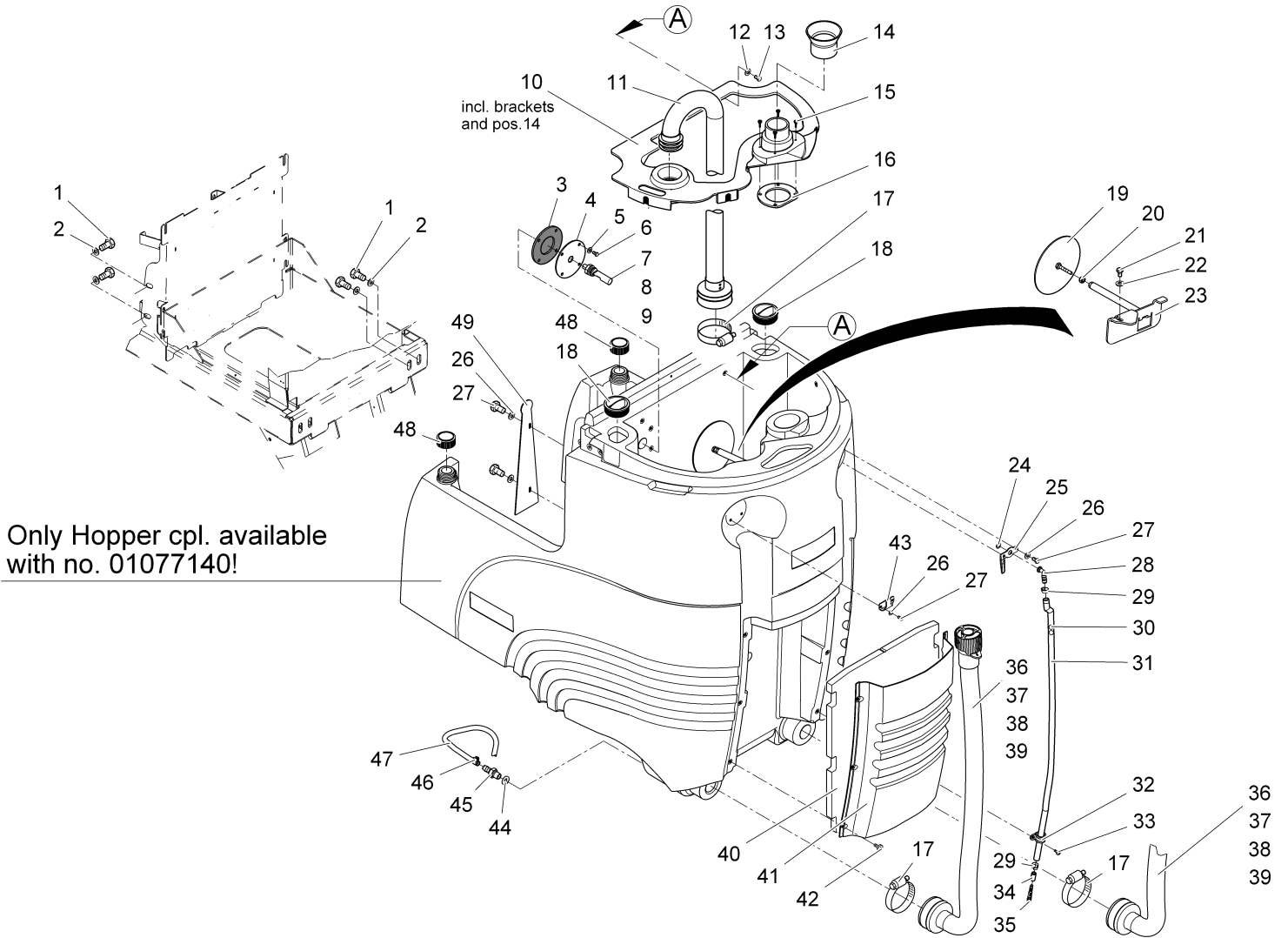
Pedal, brake - Parking brake (97075386)



Pedal, brake - Parking brake (97075386)

| Item | Part number | Description | Qty. | Remarks |
|------|-------------|---------------------|------|---------|
| 1 | 03000310 | Angle, cpl. | 1 | |
| 2 | 00053110 | Hexagon screw | 1 | |
| 3 | 00740090 | Detent edged washer | 3 | |
| 4 | 00053090 | Hexagon screw | 2 | |
| 5 | 01071290 | Lever | 1 | |
| 6 | 01058400 | Plain bearing bush | 5 | |
| 7 | 00022440 | Retaining ring | 4 | |
| 8 | 01071300 | Lever | 1 | |
| 9 | 00028680 | Stop light switch | 1 | |
| 10 | 01071310 | Bracket | 1 | |
| 11 | 00053770 | Washer | 4 | |
| 12 | 00901510 | Bolt | 2 | |
| 13 | 00553580 | Cotter pin | 2 | |
| 14 | 01071320 | Lever | 1 | |
| 15 | 01071330 | Pin | 1 | |
| 16 | 00730940 | Detent edged washer | 3 | |
| 17 | 00104500 | Hexagon screw | 3 | |
| 18 | 00127400 | Tension spring | 1 | |
| 19 | 00851210 | Tension spring | 1 | |
| 20 | 00053350 | Hexagon nut | 1 | |
| 21 | 01071340 | Pedal plate | 1 | |
| 22 | 01071350 | Pedal rubber | 1 | |

Tank (Available! No.: 01077140) (01077140)

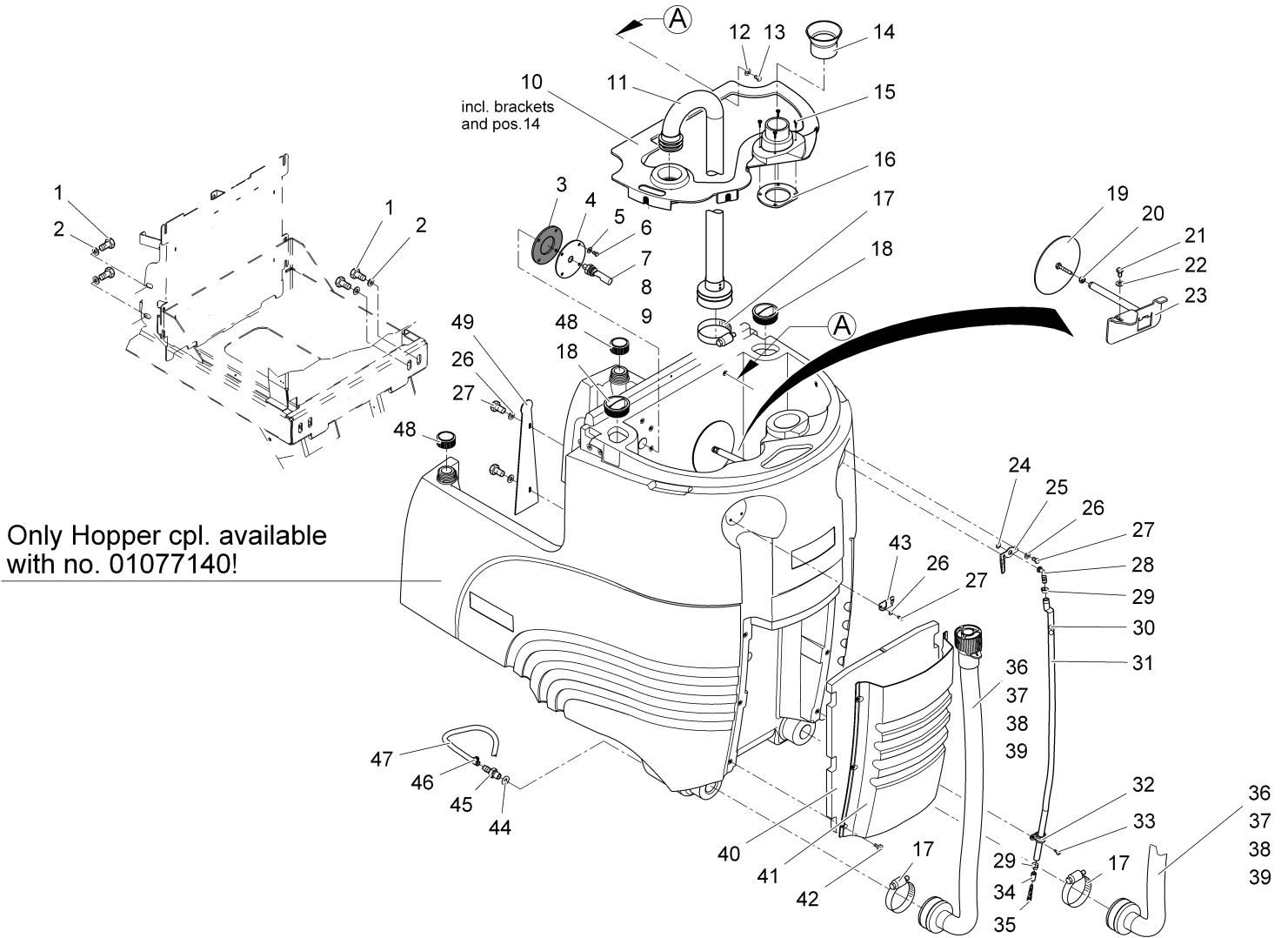


Only Hopper cpl. available with no. 01077140!

Tank (Available! No.: 01077140) (01077140)

| Item | Part number | Description | Qty. | Remarks |
|------|-------------|----------------------|-------|---------|
| 1 | 00053090 | Hexagon screw | 8 | |
| 2 | 00879170 | Washer | 8 | |
| 3 | 03000360 | Sheet metal | 1 | |
| 4 | 01070910 | Seal | 1 | |
| 5 | 00102150 | Washer | 4 | |
| 6 | 01071890 | Hex.bolt | 4 | |
| 7 | 00861620 | Float switch | 1 | |
| 8 | 00903180 | Plastic cover | 1 | |
| 9 | 00903170 | Tab | 1 | |
| 10 | 01076000 | Swash guard | 1 | |
| 11 | 01075980 | Hose | 1 | |
| 12 | 00854210 | Washer | 5 | |
| 13 | 01071890 | Hex.bolt | 5 | |
| 14 | 01076650 | Connection | 1 | |
| 15 | 01179350 | Screw | 4 | |
| 16 | 01075990 | Gasket | 1 | |
| 17 | 00736200 | Hose clamp | 3 | |
| 18 | 01075490 | plug | 2 | |
| 19 | 03000380 | Pressure plate | 1 | |
| 20 | 00971400 | Hexagon nut | 1 | |
| 21 | 01071740 | Hex.bolt | 1 | |
| 22 | 00902280 | Washer | 1 | |
| 23 | 03000370 | Support, cpl. | 1 | |
| 24 | 00045750 | O-ring oil resistant | 1 | |
| 25 | 01171470 | Hose support | 1 | |
| 26 | 00053720 | Washer | 3 | |
| 27 | 00054680 | Hex.bolt | 3 | |
| 28 | 01171490 | Angle socket | 1 | |
| 29 | 01171480 | Hose clamp | 1 | |
| 30 | 01072170 | Ball | 2 | |
| 31 | 01071790 | Hose | 780mm | |
| 32 | 00130250 | Pipe clamp | 1 | |
| 33 | 00051320 | Fillister-head screw | 1 | |
| 34 | 01064890 | Hose | 20 mm | |
| 35 | 01161210 | Reducing fitting | 1 | |
| 36 | 01072160 | Hose, cpl. | 2 | |

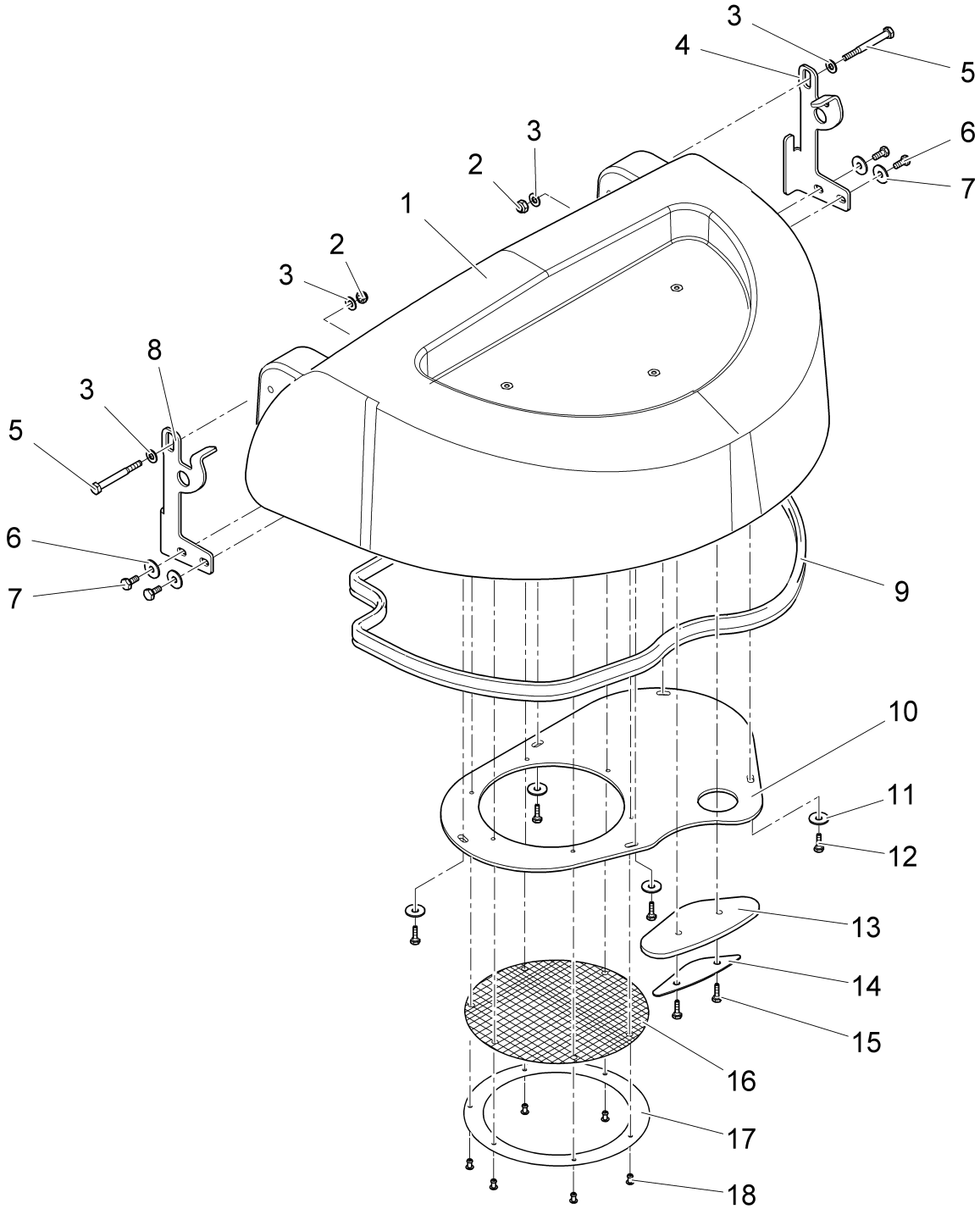
Tank (Available! No.: 01077140) (01077140)



Tank (Available! No.: 01077140) (01077140)

| Item | Part number | Description | Qty. | Remarks |
|------|-------------|------------------------------|-------|--------------------------|
| 37 | 00906110 | Cover | 2 | |
| 38 | 00906100 | Fillister-head screw | 4 | |
| 39 | 01079300 | O-Ring | 2 | |
| 40 | 01072150 | Insulating mat | 1 | |
| 41 | 01173620 | Cover | 1 | |
| 42 | 00556950 | Fillister-head screw | 6 | |
| 43 | 00903160 | Hook | 1 | |
| 44 | 00057720 | O-ring oil resistant | 1 | |
| 45 | 01072180 | Screwing in connecting piece | 1 | |
| 46 | 00056960 | Clamp | 1 | |
| 47 | 00711670 | Hose | 68 lg | |
| 48 | 01072130 | Cover | 2 | |
| 49 | 03000390 | Sheet metal | 1 | |
| 50 | 00107270 | O-ring | 2 | for old version of hoses |

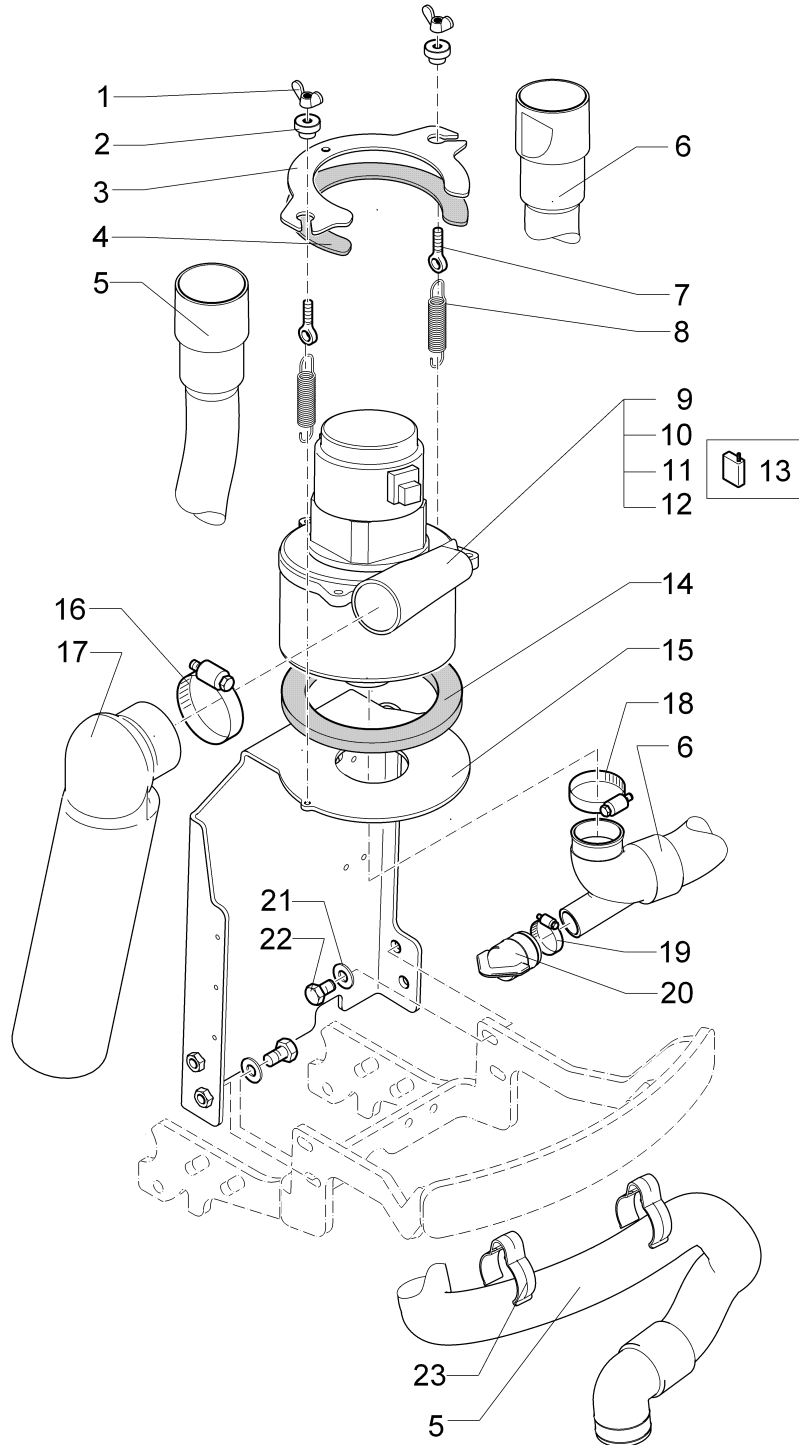
Hopper cover (97078505)



Hopper cover (97078505)

| Item | Part number | Description | Qty. | Remarks |
|------|-------------|-----------------|--------|---------|
| 1 | 01170940 | Cover, cpl. | 1 | |
| 2 | 00051510 | Hexagon nut | 2 | |
| 3 | 00053750 | Washer | 4 | |
| 4 | 01071730 | Sheet metal | 1 | |
| 5 | 00153400 | Hex.bolt | 2 | |
| 6 | 01071740 | Hex.bolt | 4 | |
| 7 | 00902280 | Washer | 4 | |
| 8 | 01071720 | Sheet metal | 1 | |
| 9 | 01071770 | Sealing profile | 1780mm | |
| 10 | 01170950 | Plate | 1 | |
| 11 | 00854210 | Washer | 7 | |
| 12 | 01071750 | Hexagon screw | 5 | |
| 13 | 01075580 | Gasket | 1 | |
| 14 | 01075590 | Sheet metal | 1 | |
| 15 | 00854190 | Hexagon screw | 2 | |
| 16 | 01070920 | Strainer | 1 | |
| 17 | 03000440 | Flange | 1 | |
| 18 | 01073330 | Rivet | 6 | |

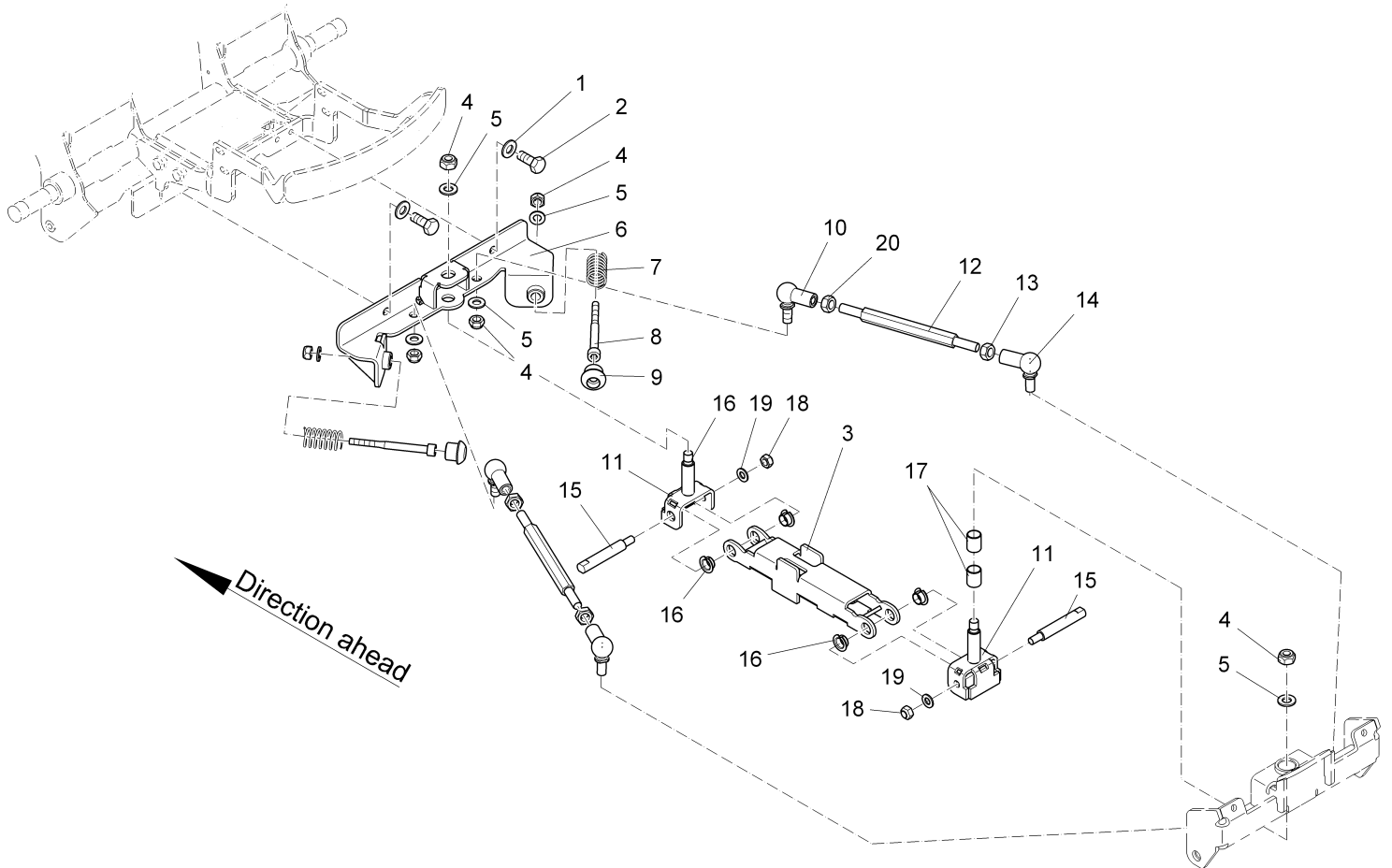
Suction unit (97079370)



Suction unit (97079370)

| Item | Part number | Description | Qty. | Remarks |
|------|-------------|----------------------|------|---------|
| 1 | 00054020 | Wing nut | 2 | |
| 2 | 00903210 | Knurled nut | 2 | |
| 3 | 01071540 | Clamping sheet metal | 1 | |
| 4 | 01071550 | Seal | 1 | |
| 5 | 01071560 | Hose | 1 | |
| 6 | 01071570 | Hose | 1 | |
| 7 | 00508770 | Eye bolt | 2 | |
| 8 | 00109410 | Tension spring | 2 | |
| 9 | 00543510 | Induction engine | 1 | |
| 10 | 00904050 | Toroidal core | 1 | |
| 11 | 00903190 | Tab | 1 | |
| 12 | 00903180 | Plastic cover | 1 | |
| 13 | 00048840 | Carbon brush | 2 | |
| 14 | 01071580 | Seal | 1 | |
| 15 | 03000450 | Support, cpl. | 1 | |
| 16 | 00732130 | Hose clamp | 1 | |
| 17 | 00471570 | Hose | 1 | |
| 18 | 01071810 | Hose clamp | 1 | |
| 19 | 00733160 | Hose clamp | 1 | |
| 20 | 00054560 | Valve | 1 | |
| 21 | 00740090 | Detent edged washer | 4 | |
| 22 | 00077110 | Hexagon screw | 4 | |
| 23 | 01071590 | Hose clip | 2 | |

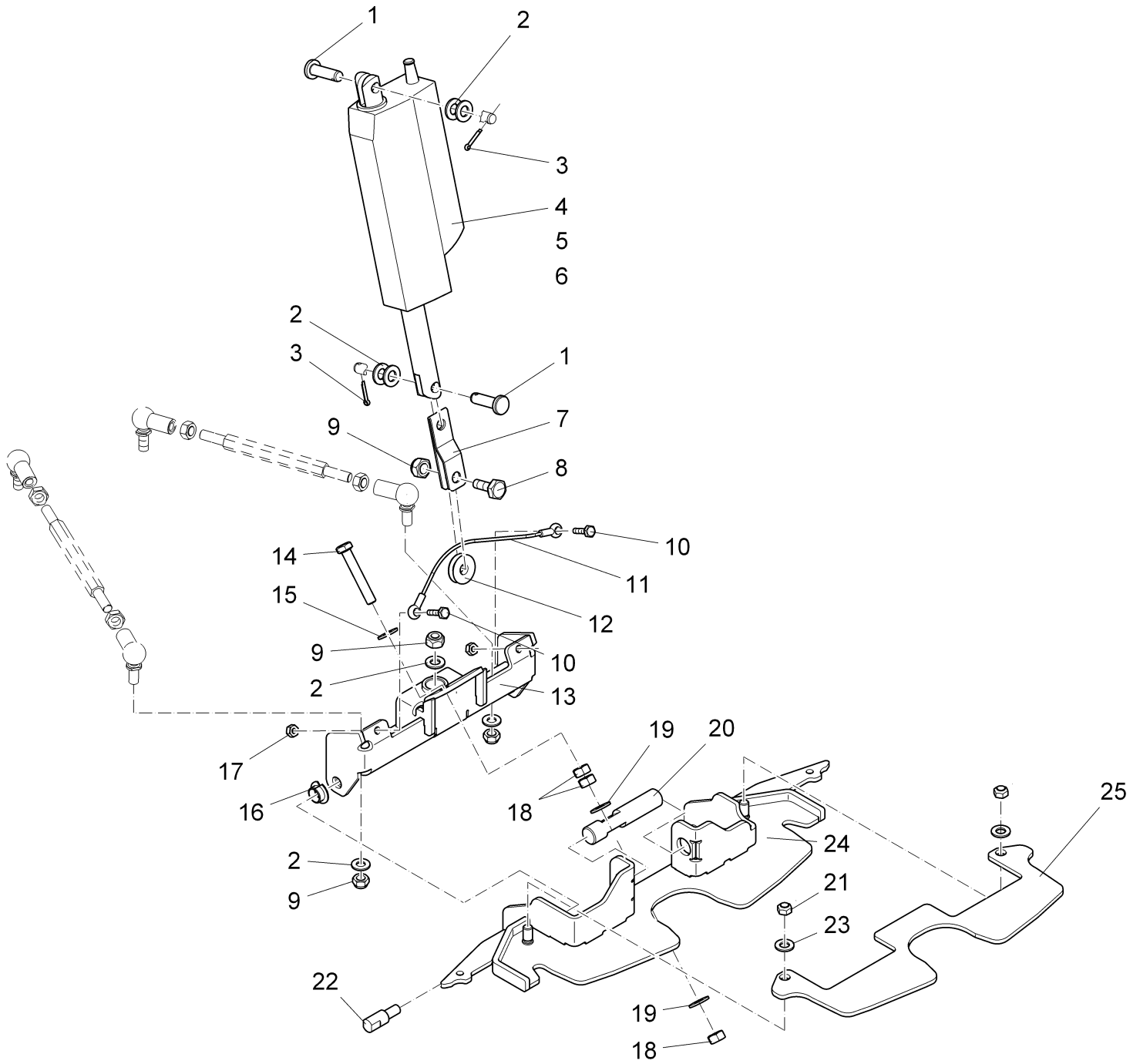
Lifting assy suction base unit part1 (97117980-1)



Lifting assy suction base unit part1 (97117980-1)

| Item | Part number | Description | Qty. | Remarks |
|------|-------------|---------------------|------|---------|
| 1 | 00740090 | Detent edged washer | 2 | |
| 2 | 00054690 | Hexagon screw | 2 | |
| 3 | 01178240 | Retainer | 1 | |
| 4 | 00051500 | Hexagon nut | 4 | |
| 5 | 00053760 | Washer | 5 | |
| 6 | 01178230 | Retainer | 1 | |
| 7 | 01175850 | Compression spring | 2 | |
| 8 | 00927270 | Cylinder head screw | 8 | |
| 9 | 01073100 | Bushing | 2 | |
| 10 | 00527700 | Angle joint | 2 | |
| 11 | 01177810 | Fork head | 2 | |
| 12 | 01071460 | Threaded rod | 2 | |
| 13 | 00704470 | Hex. Nut | 2 | |
| 14 | 01071490 | Angle joint | 2 | |
| 15 | 01178380 | Threaded bolt | 2 | |
| 16 | 01171330 | Slide bearing bush | 4 | |
| 17 | 01171820 | Slide bearing bush | 2 | |
| 18 | 00051510 | Hexagon nut | 2 | |
| 19 | 00053750 | Washer | 2 | |
| 20 | 00053360 | Hexagon nut | 2 | |

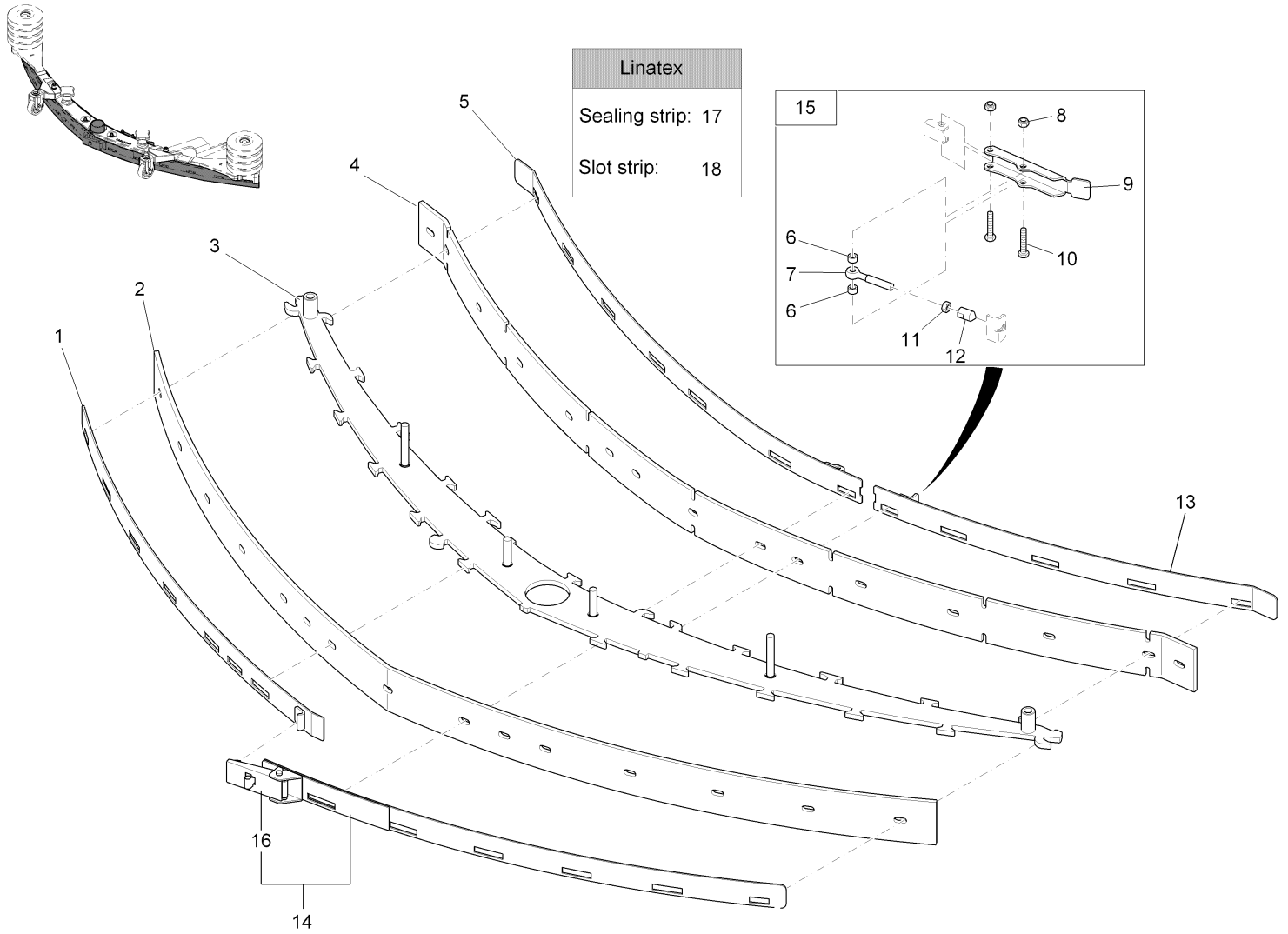
Lifting assy suction base unit part2 (97117980-2)



Lifting assy suction base unit part2 (97117980-2)

| Item | Part number | Description | Qty. | Remarks |
|------|-------------|---------------------|------|---------|
| 1 | 00539260 | Bolt | 2 | |
| 2 | 00053760 | Washer | 5 | |
| 3 | 00551410 | Cotter pin | 2 | |
| 4 | 00712430 | Lifting element | 1 | |
| 5 | 00903190 | Tab | 1 | |
| 6 | 00903180 | Plastic cover | 1 | |
| 7 | 01071980 | Support | 1 | |
| 8 | 00053310 | Hexagon screw | 1 | |
| 9 | 00051500 | Hexagon nut | 3 | |
| 10 | 00854190 | Hexagon screw | 2 | |
| 11 | 01071520 | Guidance rope | 1 | |
| 12 | 01071510 | Roller guide | 1 | |
| 13 | 01273310 | Retainer | 1 | |
| 14 | 00053260 | Hex.bolt | 1 | |
| 15 | 00740090 | Detent edged washer | 1 | |
| 16 | 01171330 | Slide bearing bush | 2 | |
| 17 | 00053330 | Hexagon nut | 2 | |
| 18 | 00053350 | Hexagon nut | 3 | |
| 19 | 00053750 | Washer | 4 | |
| 20 | 01171510 | Pivot bolt | 1 | |
| 21 | 00051510 | Hexagon nut | 2 | |
| 22 | 01273300 | Threaded bolt | 2 | |
| 23 | 00053750 | Washer | 2 | |
| 24 | 01273320 | Plate | 1 | |
| 25 | 01178220 | Sheet metal | 1 | |

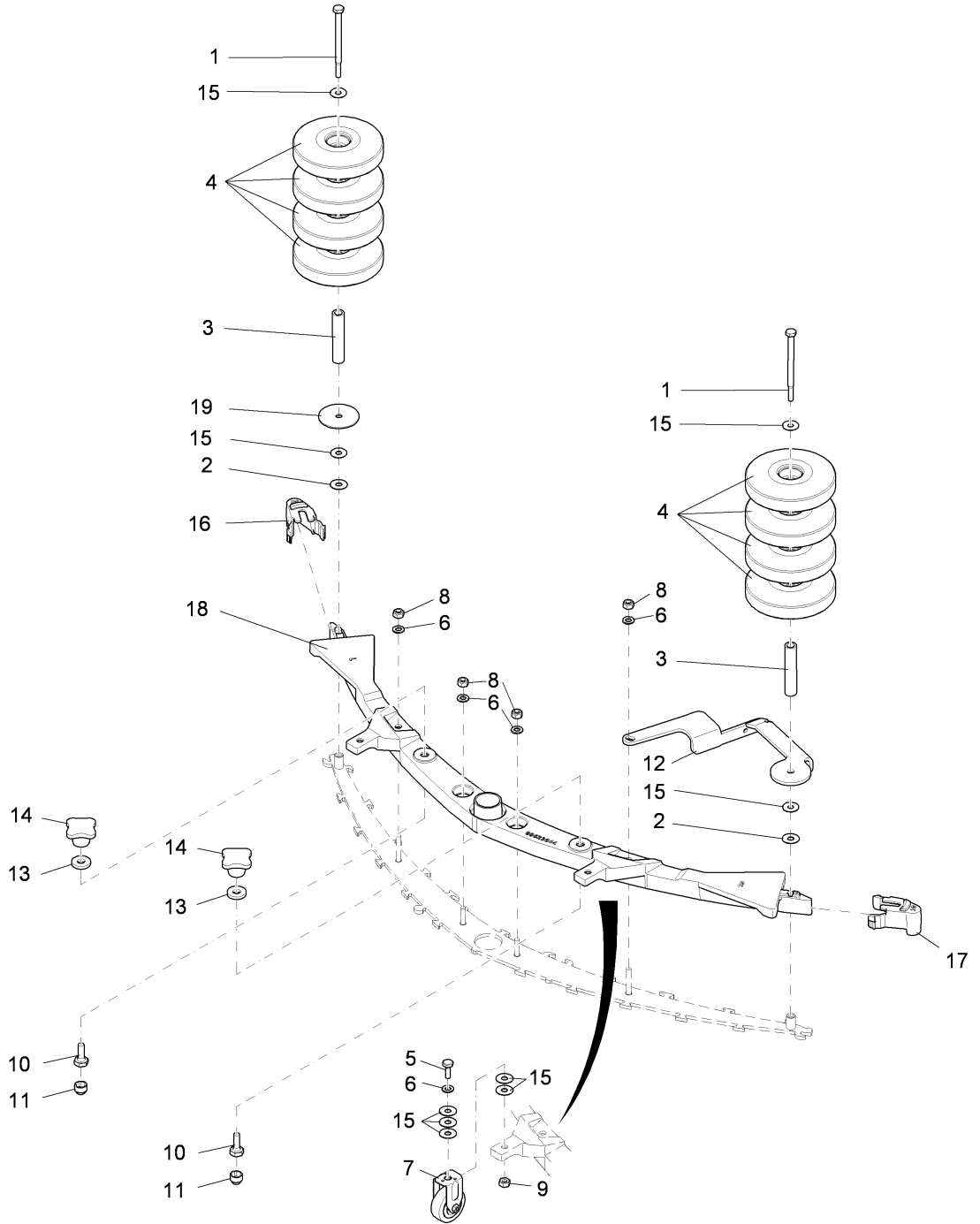
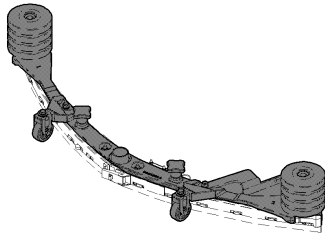
Squeegee 950mm part 1 (97108997-1)



Squeegee 950mm part 1 (97108997-1)

| Item | Part number | Description | Qty. | Remarks |
|------|-------------|-----------------------|------|-------------------|
| 1 | 01077660 | Rear tension band | 1 | |
| 2 | 01077480 | Sealing strip | 1 | |
| 3 | 01178350 | Base plate | 1 | |
| 4 | 01077470 | Slot strip | 1 | |
| 5 | 01077650 | Front tension band | 1 | |
| 6 | 01077590 | Bushing | 2 | |
| 7 | 01077500 | Eye bolt | 1 | |
| 8 | 01017660 | Hex. Nut | 2 | |
| 9 | 01077580 | Lever | 1 | |
| 10 | 01079890 | Hexagon screw | 2 | |
| 11 | 00902250 | Hex. Nut | 1 | |
| 12 | 01078090 | Pressure piece | 1 | |
| 13 | 01077640 | Front tension band | 1 | |
| 14 | 01077670 | Rear tension band | 1 | |
| 15 | 00009010 | Lock suction unit | 1 | |
| 16 | 01171810 | Lock | 1 | |
| 17 | 01179180 | Sealing strip Linatex | 1 | for 95cm squeegee |
| 18 | 01179170 | Slot strip Linatex | 1 | for 95cm squeegee |

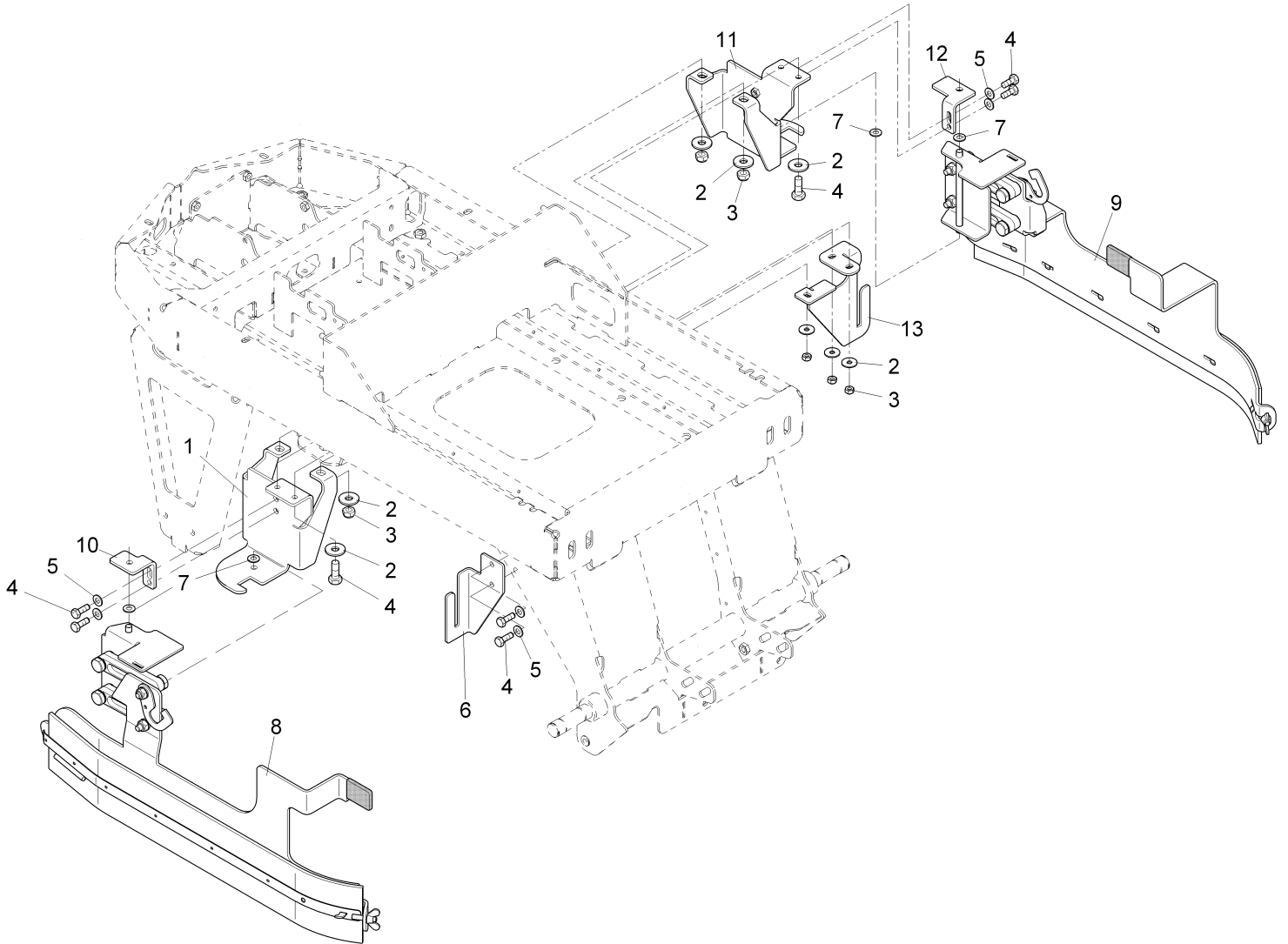
Squeegee 950mm part 2 (97108997-2)



Squeegee 950mm part 2 (97108997-2)

| Item | Part number | Description | Qty. | Remarks |
|------|-------------|-------------------------|------|---------|
| 1 | 01176750 | Hexagon screw | 2 | |
| 2 | 00902280 | Washer | 1 | |
| 3 | 01177260 | Pipe | 2 | |
| 4 | 01171790 | Deflector roller | 8 | |
| 5 | 01162510 | Hexagon screw | 2 | |
| 6 | 00101550 | Washer | 6 | |
| 7 | 01077810 | Fixed castor | 2 | |
| 8 | 00101540 | Hexagon nut | 4 | |
| 9 | 00971400 | Hexagon nut | 2 | |
| 10 | 01019850 | Hexagon screw | 2 | |
| 11 | 00131610 | Lens cap | 2 | |
| 12 | 01177300 | Bracket | 1 | |
| 13 | 00972060 | Disk wheel | 2 | |
| 14 | 01179360 | Star handle yellow | 2 | |
| 15 | 01079080 | Spacer | 14 | |
| 16 | 01178320 | Protection cap L.H. | 1 | |
| 17 | 01178310 | Protection cap R.H. | 1 | |
| 18 | 01178340 | Suction unit body 950mm | 1 | |
| 19 | 01178290 | Conical spring washer | 1 | |

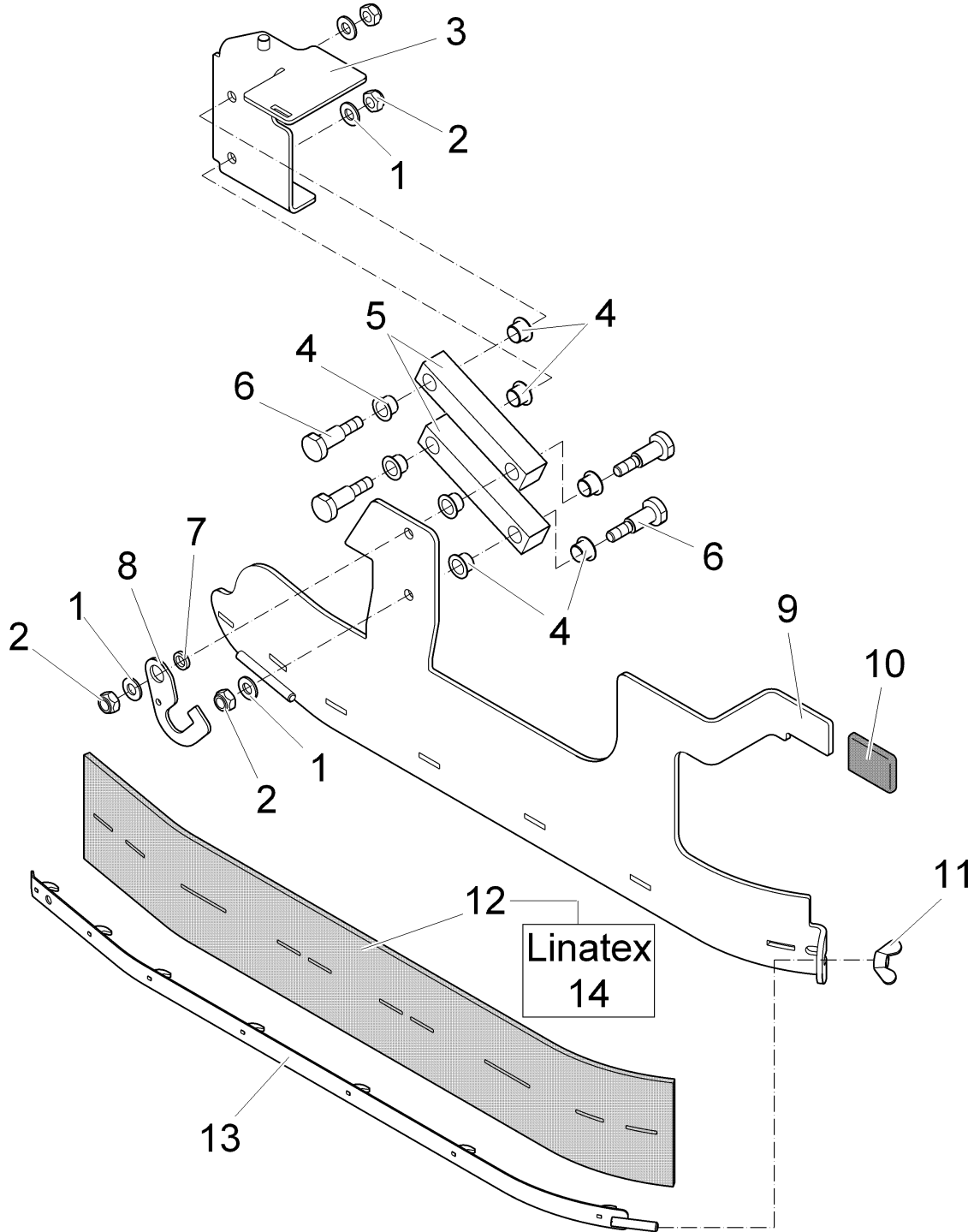
Wiper cpl. (97116628)



Wiper cpl. (97116628)

| Item | Part number | Description | Qty. | Remarks |
|------|-----------------|--------------------|-------------|-----------|
| 1 | 01074170 | Holder L.H., cpl. | 1 | |
| 2 | 00042900 | Washer | 11 | |
| 3 | 00051510 | Hexagon nut | 7 | |
| 4 | 00131730 | Hex.bolt | 10 | |
| 5 | 00053750 | Washer | 6 | |
| 6 | 01074180 | Angle L.H. | 1 | |
| 7 | 00053760 | Washer | 4 | |
| 8 | 97084446 | Wiper, L.H. | Page | 38 |
| 9 | 97115786 | Wiper, R.H. | Page | 40 |
| 10 | 01074200 | Angle, L.H. | 1 | |
| 11 | 01074270 | Holder R.H., cpl. | 1 | |
| 12 | 01074300 | Angle, R.H. | 1 | |
| 13 | 01274170 | Retainer | 1 | |

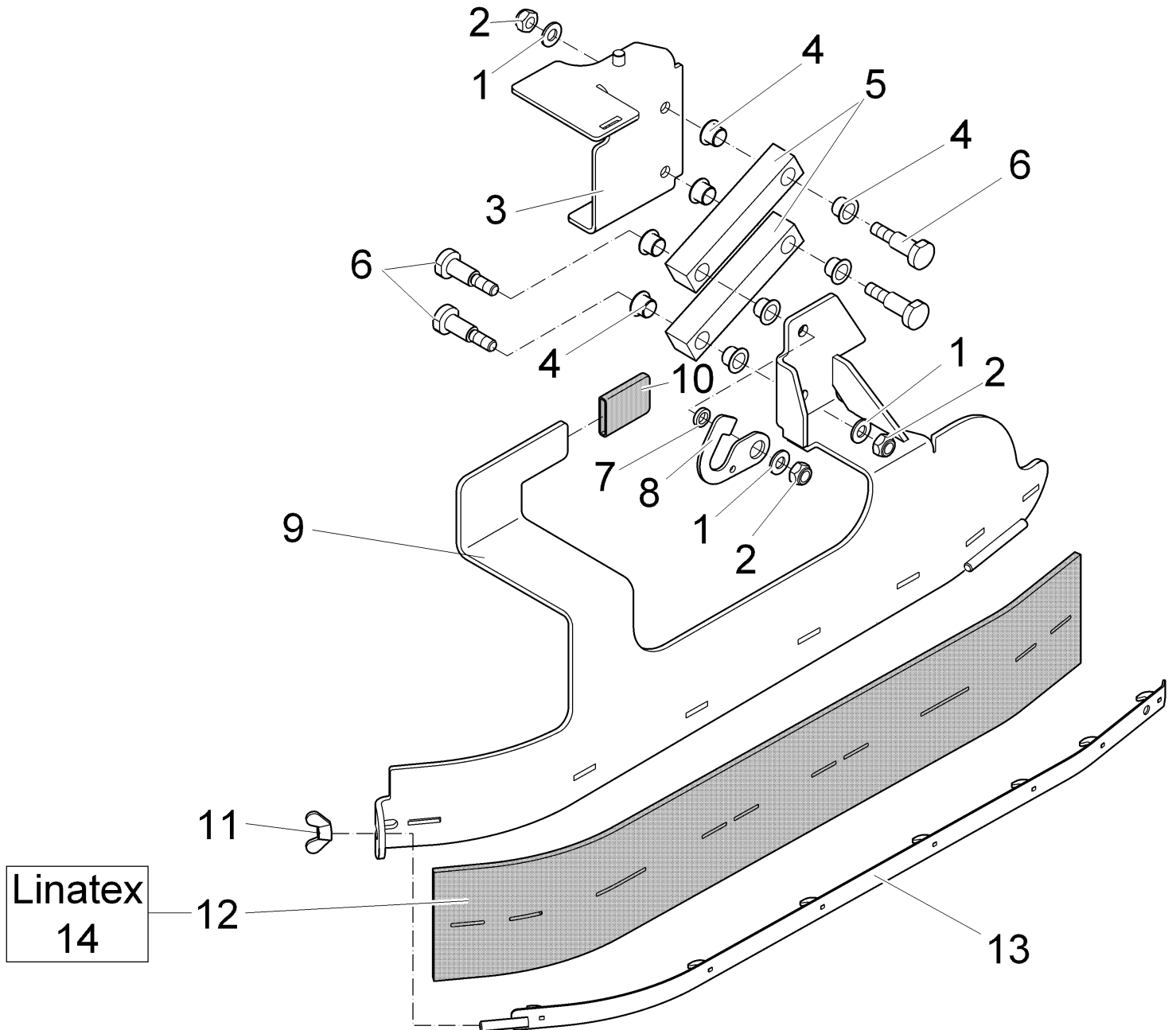
Wiper, L.H. (97084446)



Wiper, L.H. (97084446) 2004-02-01 -->

| Item | Part number | Description | Qty. | Remarks |
|------|-------------|-------------------------|------|---------|
| 1 | 00053760 | Washer | 4 | |
| 2 | 00051500 | Hexagon nut | 4 | |
| 3 | 01074190 | Swivel arm L.H., cpl. | 1 | |
| 4 | 01073860 | slide bearing bush | 8 | |
| 5 | 01073870 | lever | 1 | |
| 6 | 01073910 | fitting screw | 4 | |
| 7 | 01074210 | Bushing | 1 | |
| 8 | 01074220 | Catch | 1 | |
| 9 | 01074230 | Strut L.H., cpl. | 1 | |
| 10 | 01074240 | Cap | 1 | |
| 11 | 00153350 | Wing nut | 1 | |
| 12 | 01074250 | Rubber strap | 1 | |
| 13 | 01074260 | Tightening strap | 1 | |
| 14 | 01077040 | Squeegee strip, LINATEX | 1 | |

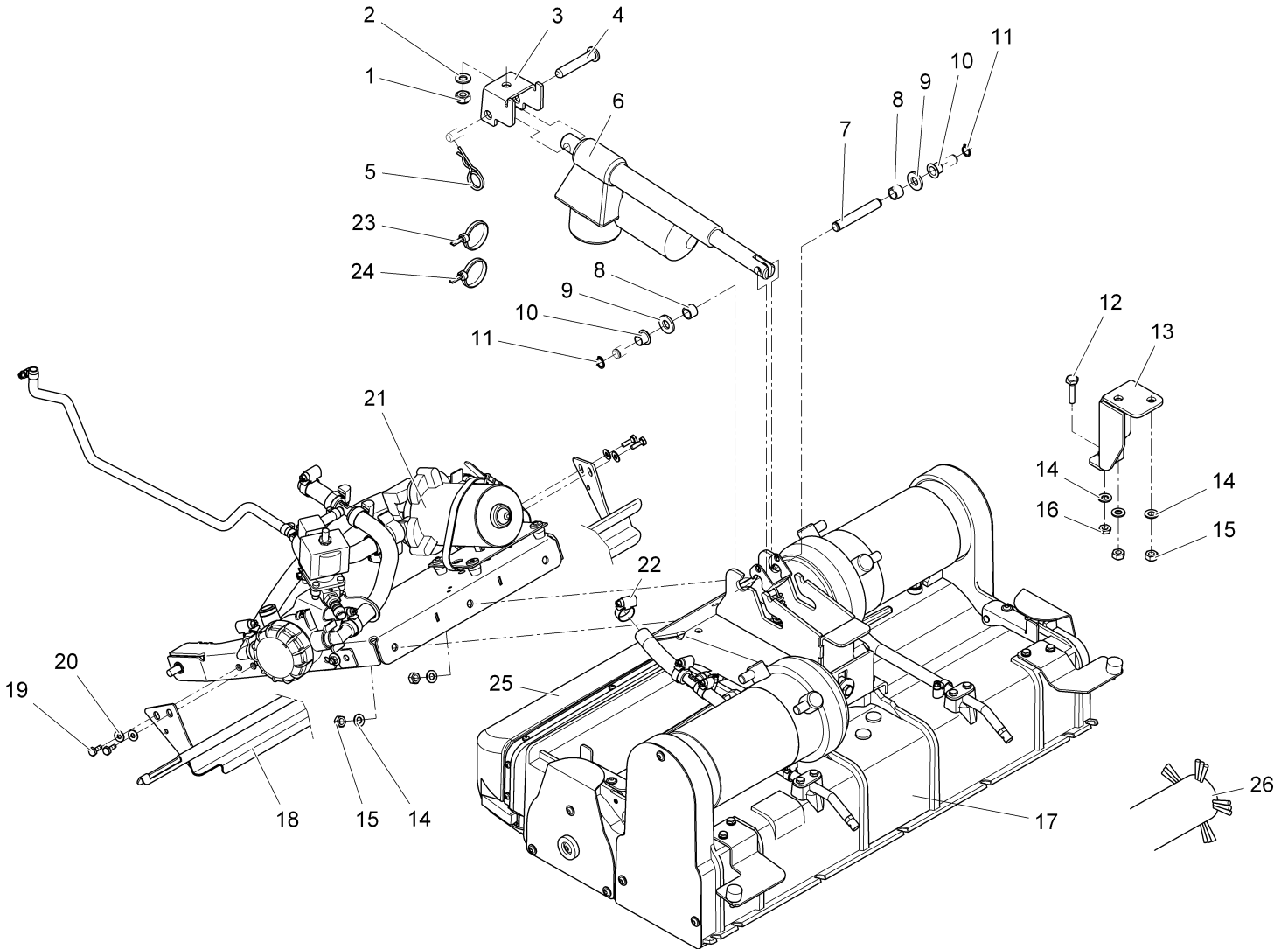
Wiper, R.H. (97115786)



Wiper, R.H. (97115786)

| Item | Part number | Description | Qty. | Remarks |
|------|-------------|-------------------------|------|---------|
| 1 | 00053760 | Washer | 4 | |
| 2 | 00051500 | Hexagon nut | 4 | |
| 3 | 01074290 | Swivel arm R.H., cpl. | 1 | |
| 4 | 01073860 | slide bearing bush | 8 | |
| 5 | 01073870 | lever | 2 | |
| 6 | 01073910 | fitting screw | 4 | |
| 7 | 01074210 | Bushing | 1 | |
| 8 | 01074220 | Catch | 1 | |
| 9 | 01273180 | Truss R.H. | 1 | |
| 10 | 01074240 | Cap | 1 | |
| 11 | 00153350 | Wing nut | 1 | |
| 12 | 01074250 | Rubber strap | 1 | |
| 13 | 01074260 | Tightening strap | 1 | |
| 14 | 01077040 | Squeegee strip, LINATEX | 1 | |

Cylindrical brush drive aggregate (97117774 7090-48)



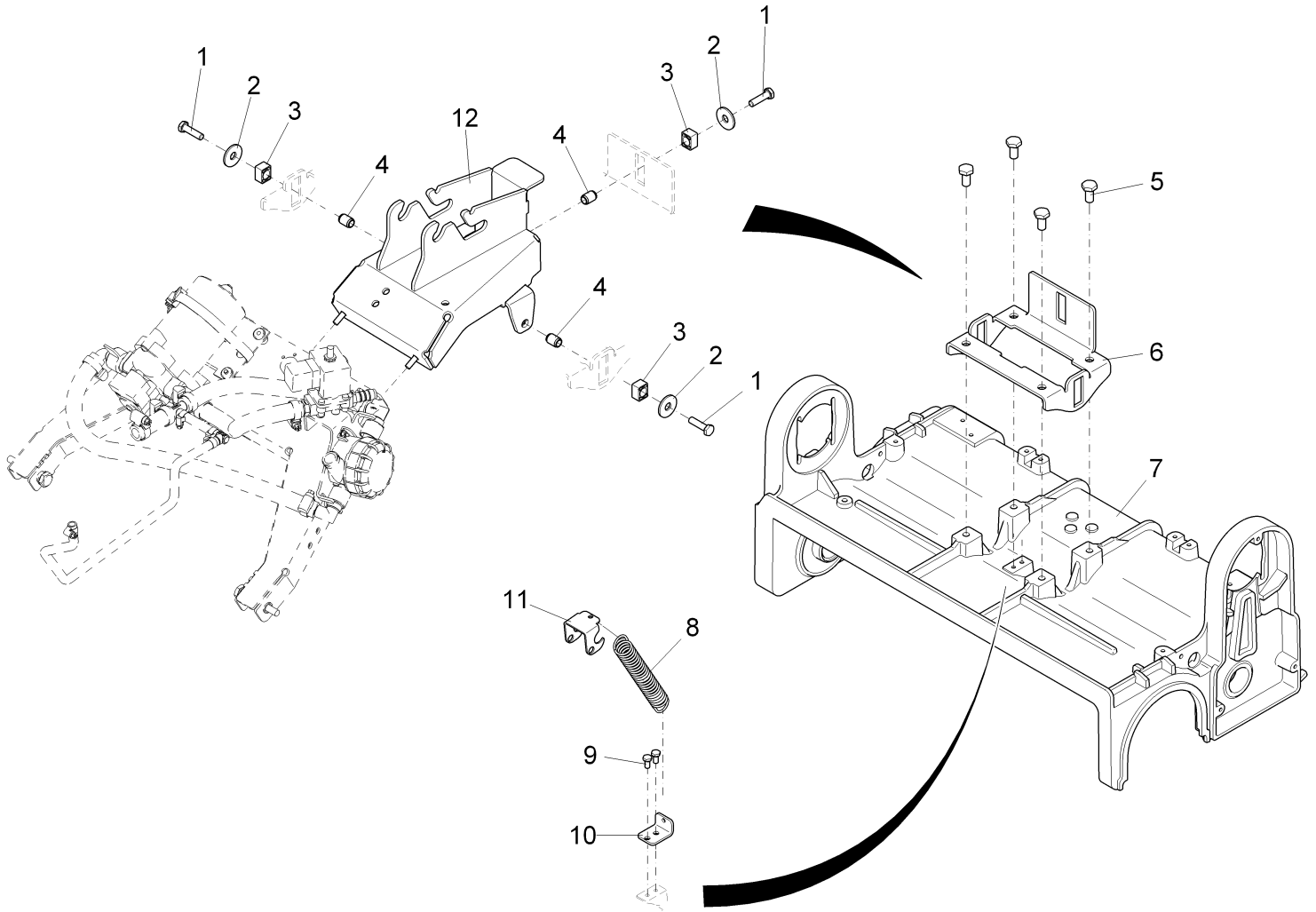
Cylindrical brush drive aggregate (97117774 7090-48)

| Item | Part number | Description | Qty. | Remarks |
|------|-----------------|-------------------------------|-------------|---|
| 1 | 00051500 | Hexagon nut | 1 | |
| 2 | 00053760 | Washer | 1 | |
| 3 | 01076930 | Retainer | 1 | |
| 4 | 00851560 | Bolt | 1 | |
| 5 | 00744820 | Spring cotter | 1 | |
| 6 | 01170430 | Regulating motor | 1 | |
| 7 | 01072400 | Axle | 1 | |
| 8 | 01072410 | Bushing | 2 | |
| 9 | 00151200 | Washer | 2 | |
| 10 | 01071440 | Plain bearing bush | 2 | |
| 11 | 00072440 | Circlip | 2 | |
| 12 | 00053110 | Hexagon screw | 1 | |
| 13 | 03000510 | Buffer, cpl | 1 | |
| 14 | 00053750 | Washer | 5 | |
| 15 | 00051510 | Hexagon nut | 4 | |
| 16 | 00046500 | Hex. Nut | 1 | |
| 17 | 97118210 | Cylindrical brush head | Page | 44 |
| 18 | 01072200 | Safety rail | 1 | |
| 19 | 00053010 | Hex.bolt | 4 | |
| 20 | 00730940 | Detent edged washer | 2 | |
| 21 | 97118392 | Rocker cpl. | Page | 53 |
| 22 | 01015350 | Hose clamp | 1 | |
| 23 | 00121150 | Cable tie | 15 | |
| 24 | 00967760 | Cable tie | 3 | |
| 25 | 03011040 | Dirt container | Page | 57 |
| 26 | 99709900 | Set cyl brush | 1 | Degree of soiling medium to heavy, structured flooring, SIC PA 6. 12, Kom 500 |

Cylindrical brush head (97118210)

| Assembly | Description | Page |
|-----------------|-------------------------------------|-------------|
| 97118210-1 | Cylindrical brush drive head part 1 | 45 |
| 97118210-2 | Cylindrical brush drive head part 2 | 47 |
| 97118210-3 | Cylindrical brush drive head part 3 | 51 |

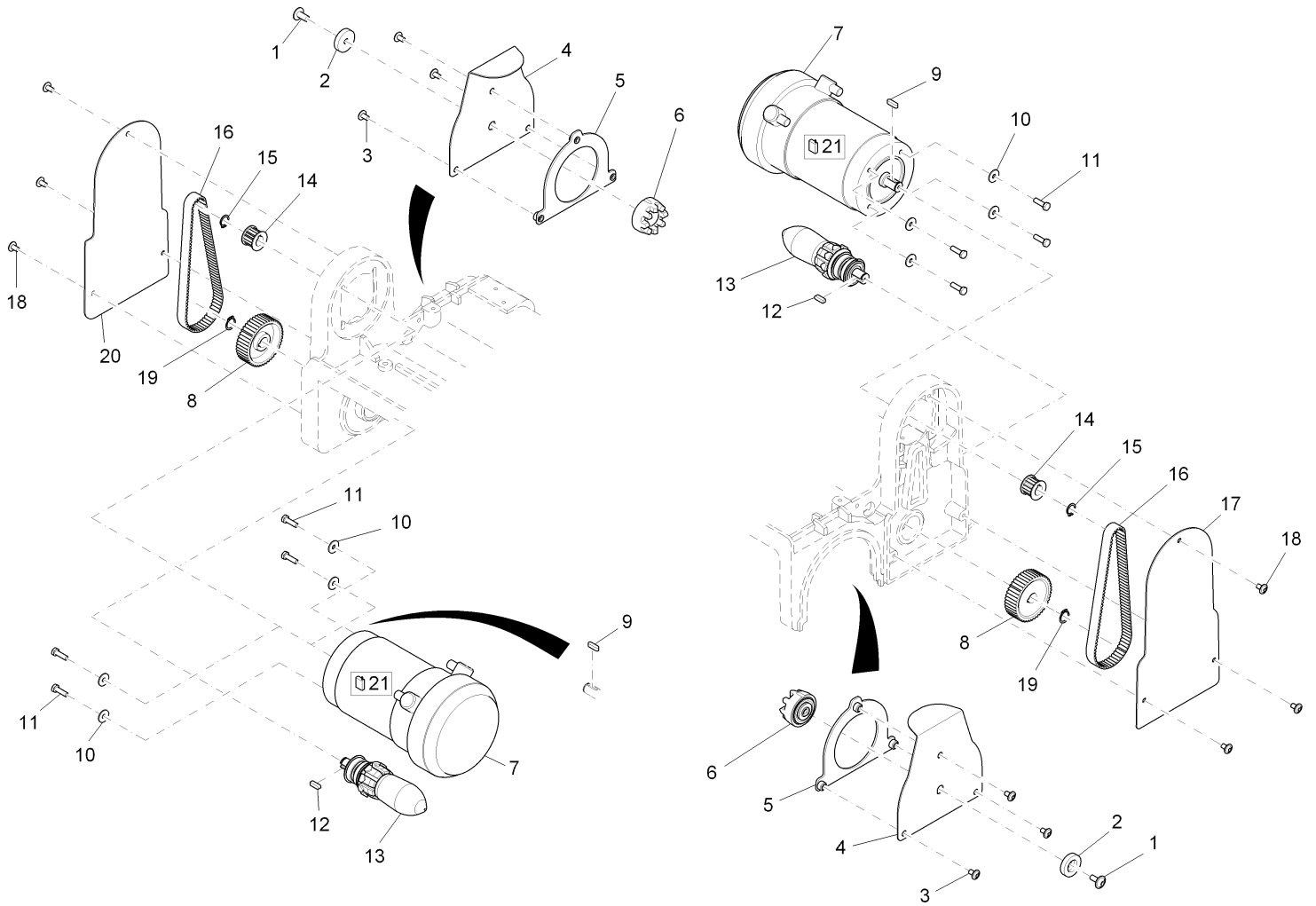
Cylindrical brush drive head part 1 (97118210-1)



Cylindrical brush drive head part 1 (97118210-1)

| Item | Part number | Description | Qty. | Remarks |
|------|-------------|----------------|------|---------|
| 1 | 01078690 | Hexagon screw | 3 | |
| 2 | 01161070 | Washer | 3 | |
| 3 | 01078700 | Slide block | 4 | |
| 4 | 01077730 | Bushing | 3 | |
| 5 | 01078720 | Hexagon screw | 4 | |
| 6 | 01078730 | Retainer | 1 | |
| 7 | 01170780 | Housing | 1 | |
| 8 | 01077710 | Tension spring | 1 | |
| 9 | 01071750 | Hexagon screw | 2 | |
| 10 | 01274670 | Angle | 1 | |
| 11 | 01272040 | Cramp | 1 | |
| 12 | 01274680 | Guide arm | 1 | |

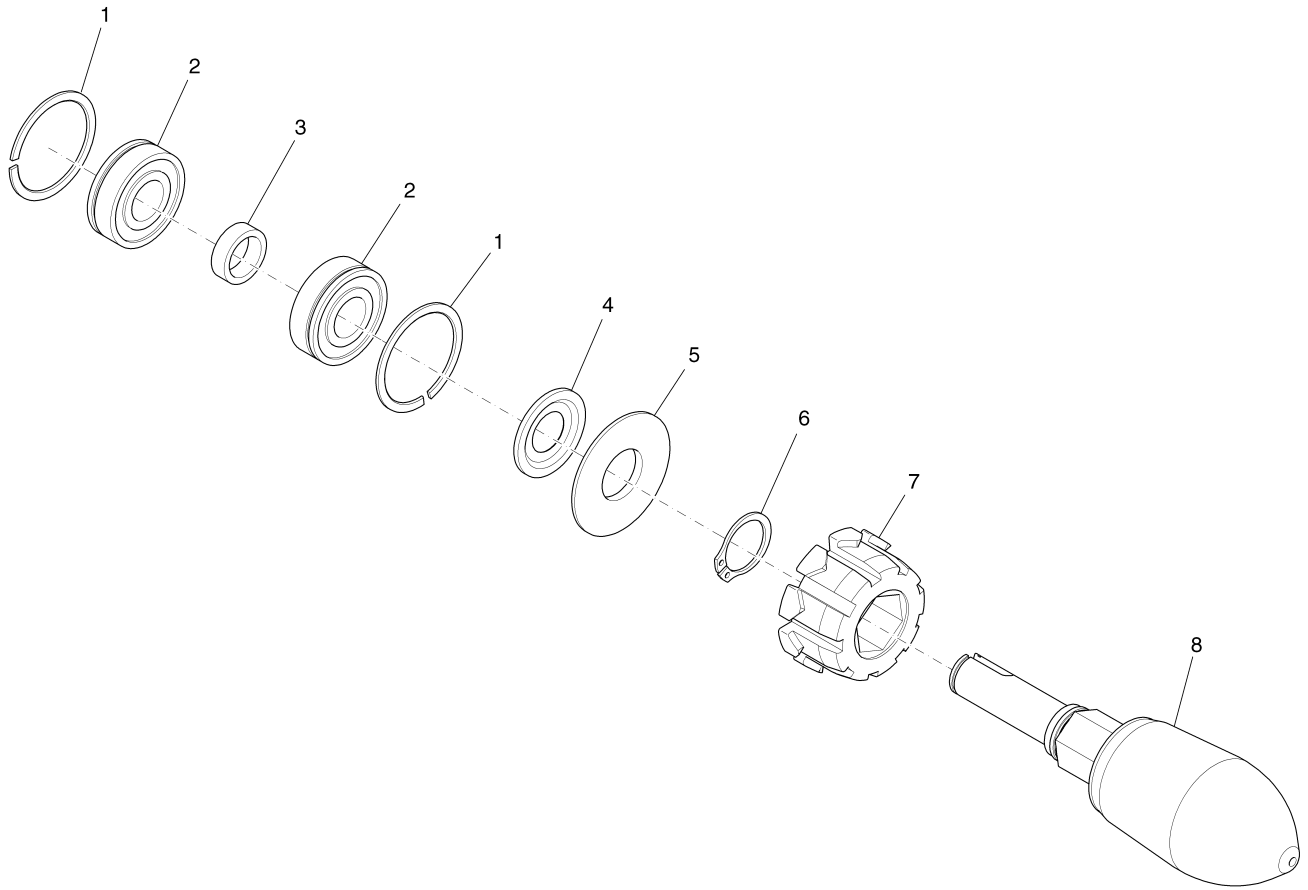
Cylindrical brush drive head part 2 (97118210-2)



Cylindrical brush drive head part 2 (97118210-2)

| Item | Part number | Description | Qty. | Remarks |
|------|-----------------|-------------------------|-------------|-----------|
| 1 | 01074320 | Lens flange screw | 2 | |
| 2 | 01074330 | Washer | 2 | |
| 3 | 01072520 | Lens flange screw | 6 | |
| 4 | 01078760 | Side cover | 2 | |
| 5 | 01078770 | Centering bend | 2 | |
| 6 | 01074340 | Bearing | 2 | |
| 7 | 01072450 | Motor | 2 | |
| 8 | 01072570 | Toothed belt pulley | 2 | |
| 9 | 00022430 | Feather key | 2 | |
| 10 | 00135120 | Washer | 8 | |
| 11 | 00053020 | Hexagon screw | 8 | |
| 12 | 01072580 | Feather key | 2 | |
| 13 | 01072560 | Carrier, cpl. | Page | 49 |
| 14 | 01072460 | Toothed belt pulley | 2 | |
| 15 | 00022440 | Retaining ring | 2 | |
| 16 | 01072540 | Toothed belt | 2 | |
| 17 | 01078780 | Sheet metal R.H. | 1 | |
| 18 | 01072520 | Lens flange screw | 6 | |
| 19 | 00022340 | Retaining ring | 2 | |
| 20 | 01078790 | Sheet metal L.H. | 1 | |
| 21 | 00553060 | Set (4pc.) carbon brush | 1 | |

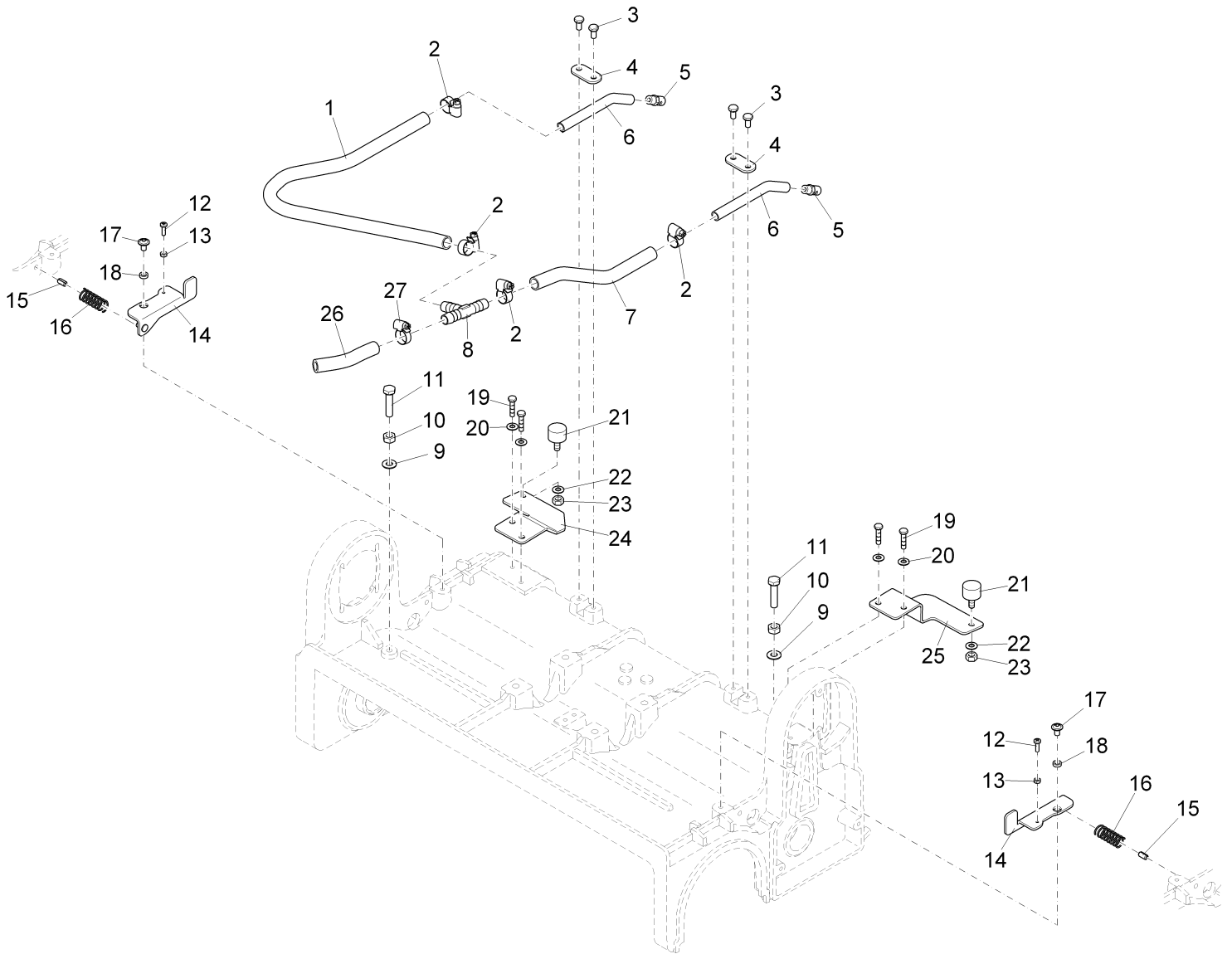
Carrier, cpl. (01072560)



Carrier, cpl. (01072560)

| Item | Part number | Description | Qty. | Remarks |
|------|-------------|----------------------|------|---------|
| 1 | 01078820 | Circlip | 2 | |
| 2 | 01076560 | Grooved ball bearing | 2 | |
| 3 | 01077520 | Bushing | 1 | |
| 4 | 00124220 | Ring | 1 | |
| 5 | 01077550 | Bushing | 1 | |
| 6 | 00054310 | Retaining ring | 1 | |
| 7 | 01077540 | Bushing | 1 | |
| 8 | 01077530 | Retainer | 1 | |

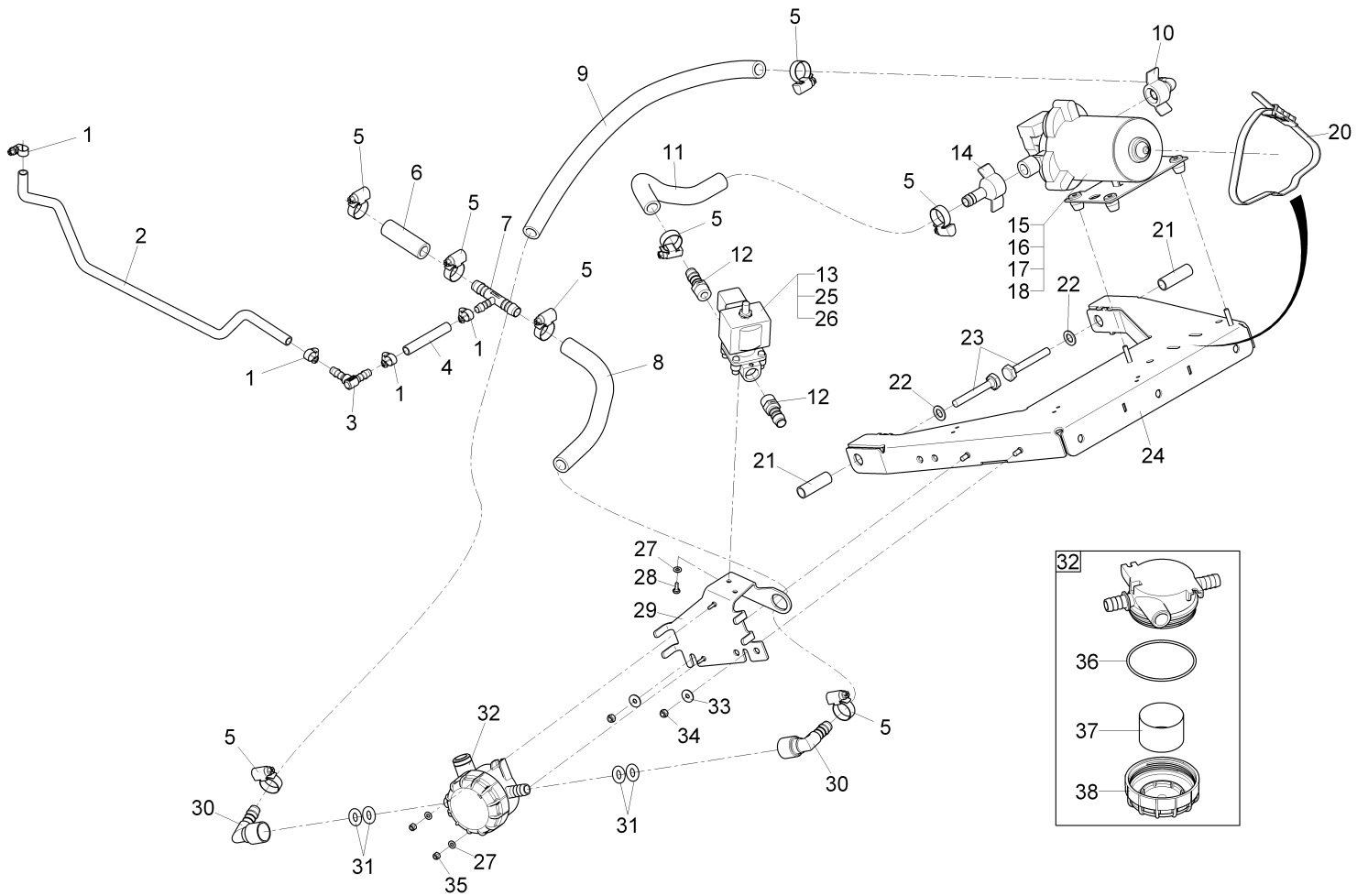
Cylindrical brush drive head part 3 (97118210-3)



Cylindrical brush drive head part 3 (97118210-3)

| Item | Part number | Description | Qty. | Remarks |
|------|-------------|------------------------|-------|---------|
| 1 | 00171030 | Hose | 520mm | |
| 2 | 00074300 | Hose clamp | 4 | |
| 3 | 01071750 | Hexagon screw | 8 | |
| 4 | 01072500 | Clamping sheet metal | 2 | |
| 5 | 01072640 | Jet | 2 | |
| 6 | 01072630 | Pipe | 2 | |
| 7 | 00171030 | Hose | 240mm | |
| 8 | 00976160 | T-piece | 1 | |
| 9 | 00101550 | Washer | 2 | |
| 10 | 00971400 | Hexagon nut | 2 | |
| 11 | 00523810 | Hex.bolt | 2 | |
| 12 | 01072260 | Fillister-head screw | 2 | |
| 13 | 01072510 | Hex. Nut | 2 | |
| 14 | 01072620 | Lever, cpl. | 2 | |
| 15 | 00107140 | Dowel pin | 2 | |
| 16 | 00550870 | Cyl.compression spring | 2 | |
| 17 | 01072520 | Lens flange screw | 2 | |
| 18 | 01073360 | Bushing | 2 | |
| 19 | 01071750 | Hexagon screw | 4 | |
| 20 | 00102150 | Washer | 4 | |
| 21 | 00854090 | Stop buffer | 2 | |
| 22 | 00053730 | Washer | 4 | |
| 23 | 00051520 | Hexagon nut | 4 | |
| 24 | 01075330 | Angle | 1 | |
| 25 | 01072650 | Angle | 1 | |
| 26 | 00200170 | PVC hose | 80 mm | |
| 27 | 01015350 | Hose clamp | 1 | |

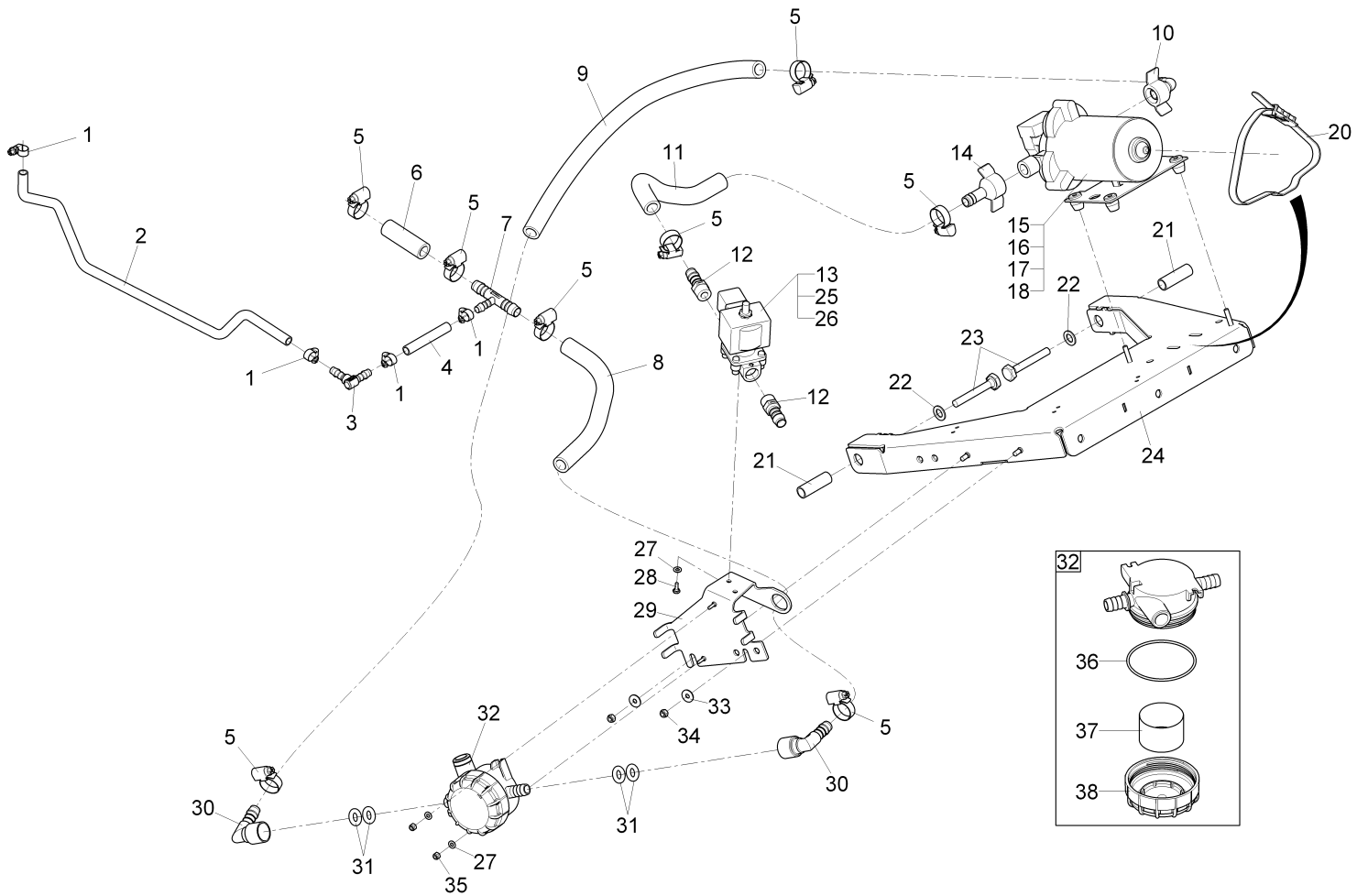
Rocker cpl. (97118392)



Rocker cpl. (97118392)

| Item | Part number | Description | Qty. | Remarks |
|------|-------------|------------------------------|--------|---------|
| 1 | 00529390 | Hose clamp | 4 | |
| 2 | 00711670 | Hose | 500 mm | |
| 3 | 01073010 | Angle connection piece | 1 | |
| 4 | 00711670 | Hose | 70 mm | |
| 5 | 01015350 | Hose clamp | 8 | |
| 6 | 00200170 | PVC hose | 60 mm | |
| 7 | 01073020 | T-piece | 1 | |
| 8 | 00200170 | PVC hose | 260 mm | |
| 9 | 00200170 | PVC hose | 440 mm | |
| 10 | 00154140 | Screwed angle fitting | 1 | |
| 11 | 00200170 | PVC hose | 200 mm | |
| 12 | 00976140 | Screwing in connecting piece | 2 | |
| 13 | 01071000 | Electrovalve | 1 | |
| 14 | 01071450 | Screwing | 1 | |
| 15 | 00543750 | Pump | 1 | |
| 16 | 01135470 | pin housing | 1 | |
| 17 | 01063790 | Pin contact | 2 | |
| 18 | 00903580 | Gasket | 2 | |
| 20 | 01073340 | Cable tie | 1 | |
| 21 | 01073350 | Pipe | 2 | |
| 22 | 00962220 | Washer | 2 | |
| 23 | 00151790 | Hexagon screw | 2 | |
| 24 | 01273170 | Lifting fork | 1 | |
| 25 | 03007630 | Sealing band | 400 mm | |
| 26 | 03006960 | Sealing compound | 10 mm | |
| 27 | 00053710 | Washer | 4 | |
| 28 | 00058580 | Hex.bolt | 2 | |
| 29 | 01273160 | Retainer | 1 | |
| 30 | 01173170 | Hose coupling | 2 | |
| 31 | 01171860 | O-ring | 4 | |
| 32 | 01077170 | Water filter | 1 | |
| 33 | 00555520 | Washer | 2 | |
| 34 | 00051340 | Hexagon nut | 2 | |
| 35 | 00133830 | Hex. Nut | 2 | |
| 36 | 01178130 | O-ring | 1 | |
| 37 | 01178210 | Strainer | 1 | |

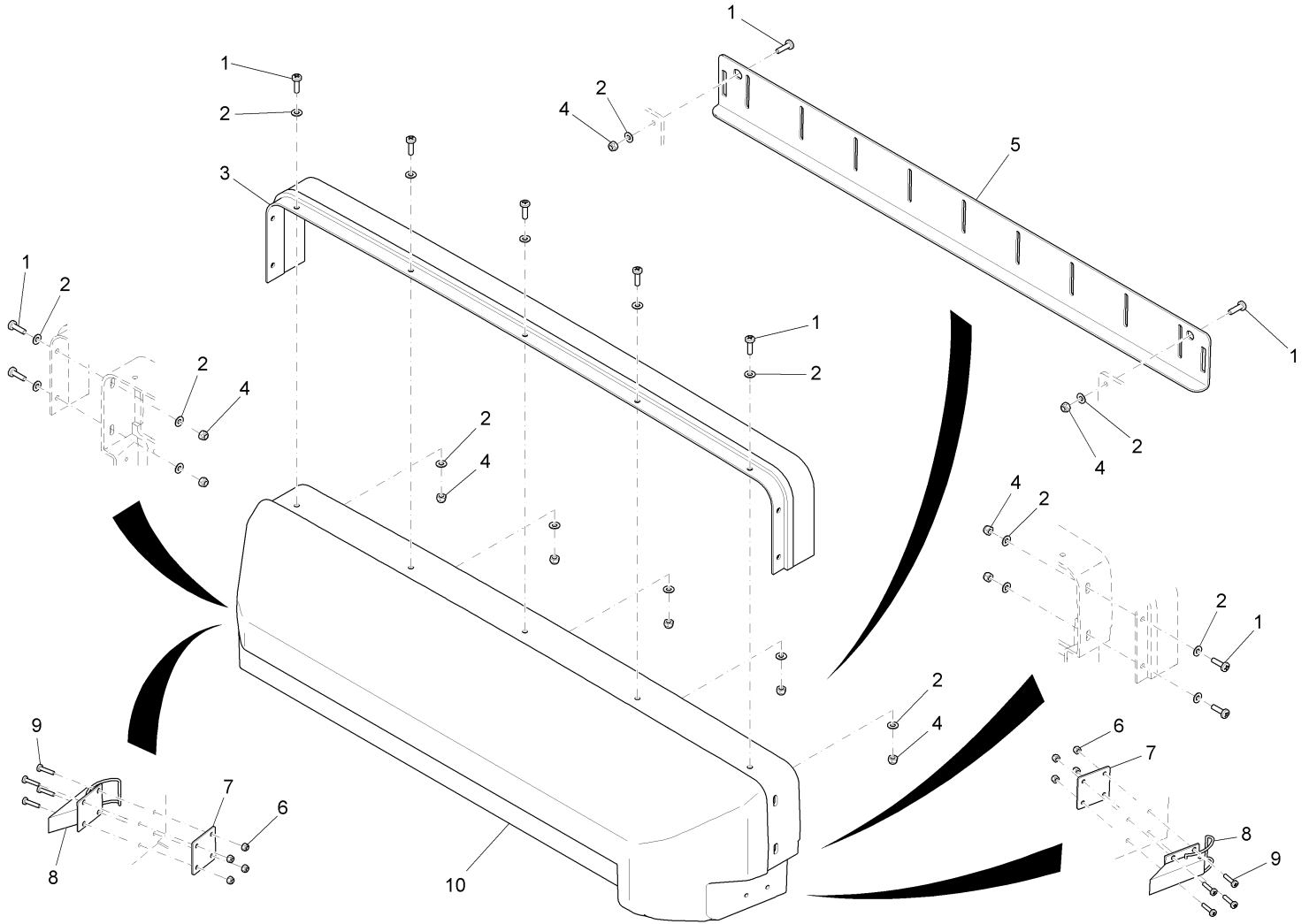
Rocker cpl. (97118392)



Rocker cpl. (97118392)

| Item | Part number | Description | Qty. | Remarks |
|-------------|--------------------|--------------------|-------------|----------------|
| 38 | 01177090 | Filter cover | 1 | |

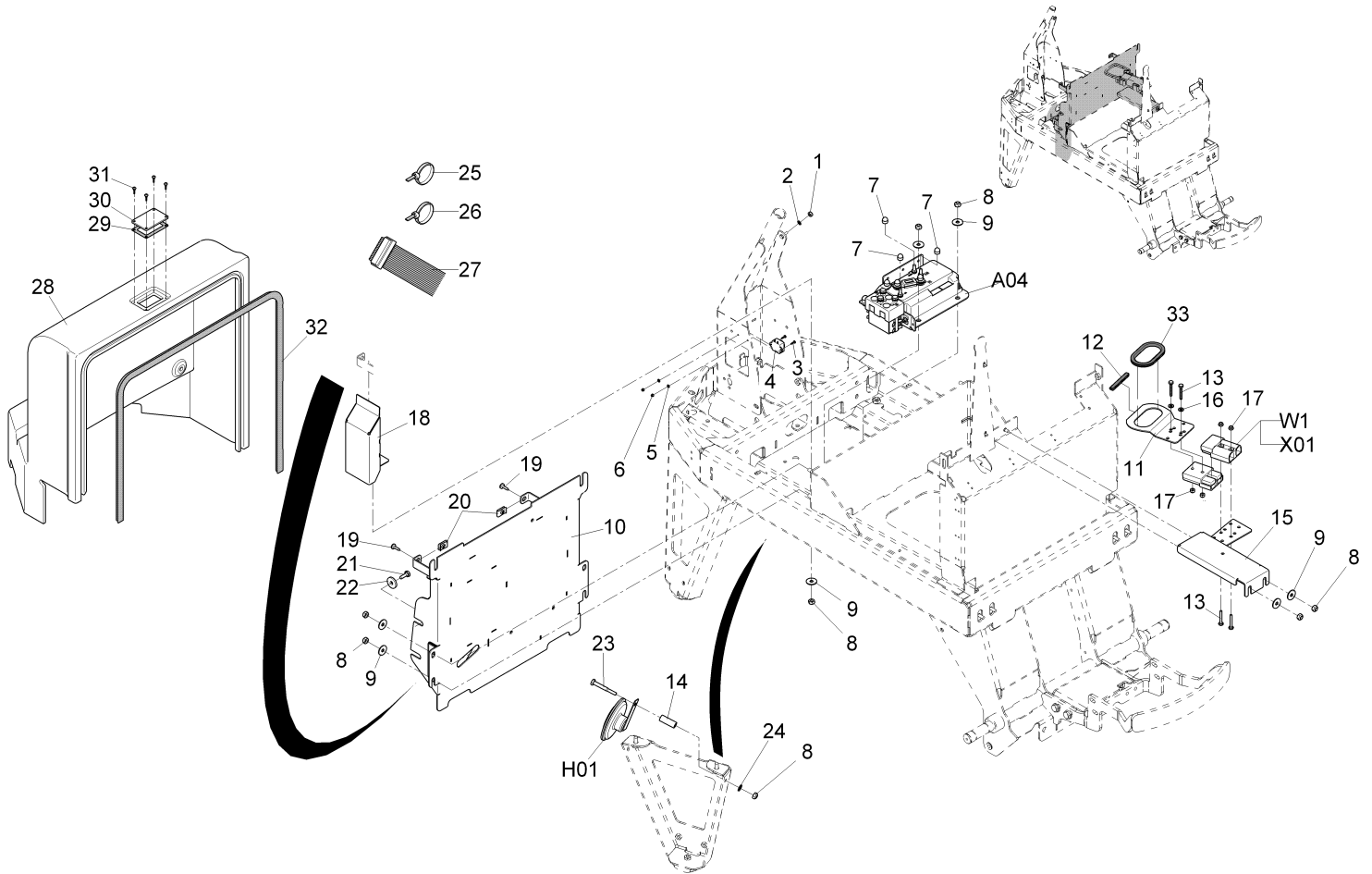
Dirt hopper cpl. (97079578)



Dirt hopper cpl. (97079578)

| Item | Part number | Description | Qty. | Remarks |
|------|-------------|----------------------|------|---------|
| 1 | 01072260 | Fillister-head screw | 11 | |
| 2 | 00874720 | Washer | 20 | |
| 3 | 01072240 | Brush rails | 1 | |
| 4 | 00970190 | Hexagon nut | 11 | |
| 5 | 01072250 | Panel apron | 1 | |
| 6 | 01072270 | Hex. Nut | 8 | |
| 7 | 01076250 | Plate | 2 | |
| 8 | 01072220 | Lock | 2 | |
| 9 | 01072230 | Fillister-head screw | 8 | |
| 10 | 01072210 | Dirt hopper, cpl. | 1 | |

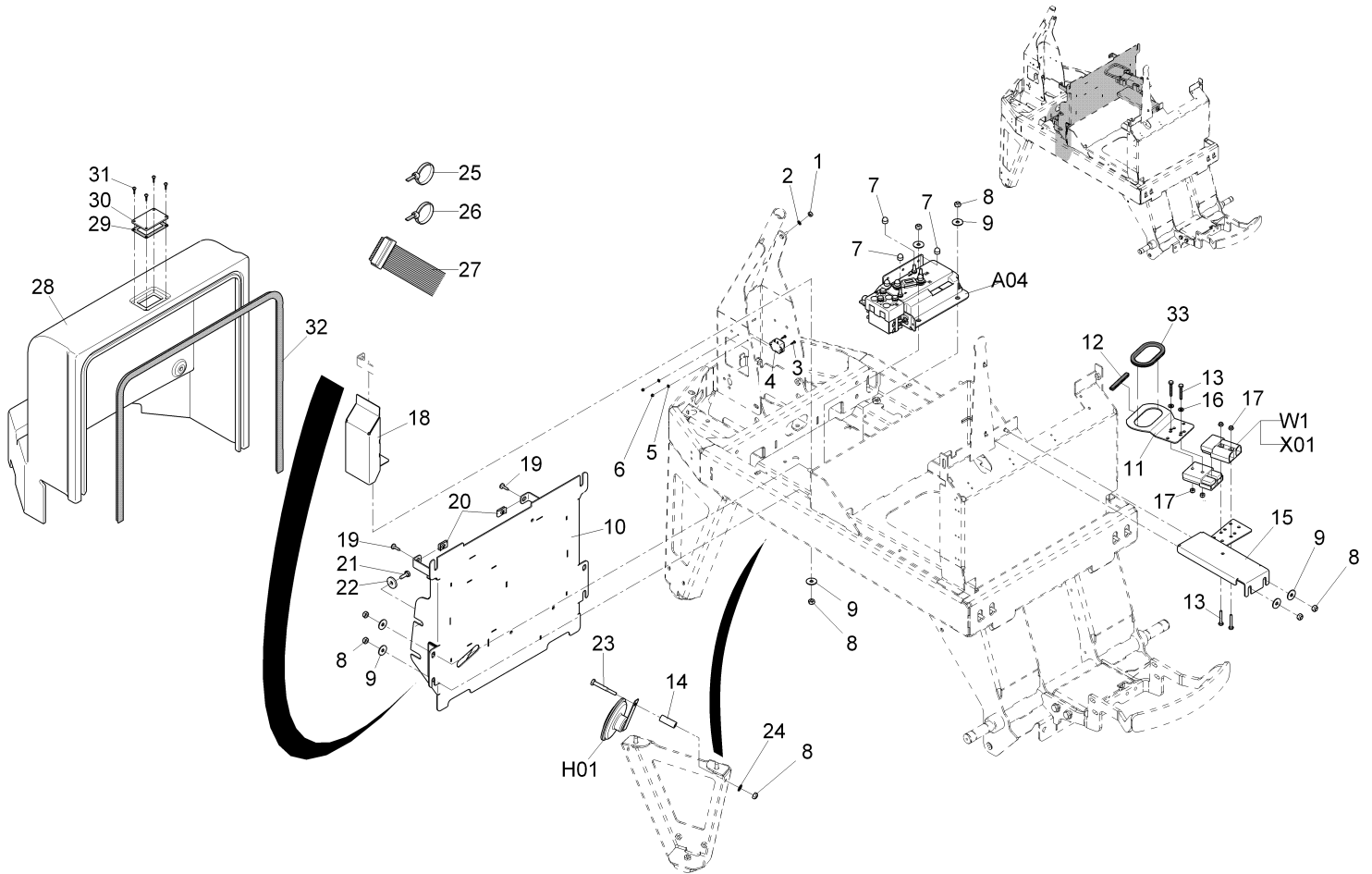
Electrics, part 1 (97116735-1)



Electrics, part 1 (97116735-1)

| Item | Part number | Description | Qty. | Remarks |
|------|-----------------|------------------------|----------------|---------|
| 1 | 00053330 | Hexagon nut | 1 | |
| 2 | 01072030 | Toothed washer | 1 | |
| 3 | 00042350 | Hex.bolt | 2 | |
| 4 | 00745850 | Signal transmitter | 1 | |
| 5 | 00553740 | Washer | 2 | |
| 6 | 00022200 | Hex. Nut | 2 | |
| 7 | 00525910 | Lens cap | 3 | |
| 8 | 00051510 | Hexagon nut | 10 | |
| 9 | 00042900 | Washer | 9 | |
| 10 | 03010260 | Elctronic box | 1 | |
| 11 | 01056090 | Handle | 1 | |
| 12 | 00721090 | Edge protection | 700mm | |
| 13 | 00053290 | Hexagon screw | 2 | |
| 14 | 00073410 | Bushing | 1 | |
| 15 | 03000560 | Support | 1 | |
| 16 | 00053730 | Washer | 2 | |
| 17 | 00051520 | Hexagon nut | 2 | |
| 18 | 01274060 | Ventilation duct | 1 | |
| 19 | 00740900 | Tapping screw | 4 | |
| 20 | 01175860 | Snap nut | 4 | |
| 21 | 00053090 | Hexagon screw | 4 | |
| 22 | 00879170 | Washer | 4 | |
| 23 | 00074260 | Hex.bolt | 1 | |
| 24 | 00053750 | Washer | 1 | |
| 25 | 00121150 | Cable tie | 35 | |
| 26 | 00967760 | Cable tie | 12 | |
| 27 | 01273970 | Ribbon cable | 1 | |
| 28 | 03000530 | Covering for electric | 1 | |
| 29 | 01072060 | Seal | 1 | |
| 30 | 01072050 | Inspection glass | 1 | |
| 31 | 00902430 | Self tapping screw | 4 | |
| 32 | 01272770 | Sealing profile | 1150 mm | |
| 33 | 00721090 | Edge protection | 2220mm | |
| A04 | 97115389 | Driving control | Page 63 | |
| H01 | 00852420 | Signal horn | 1 | |
| W1 | 03010540 | Wiring harness W1 | 1 | |

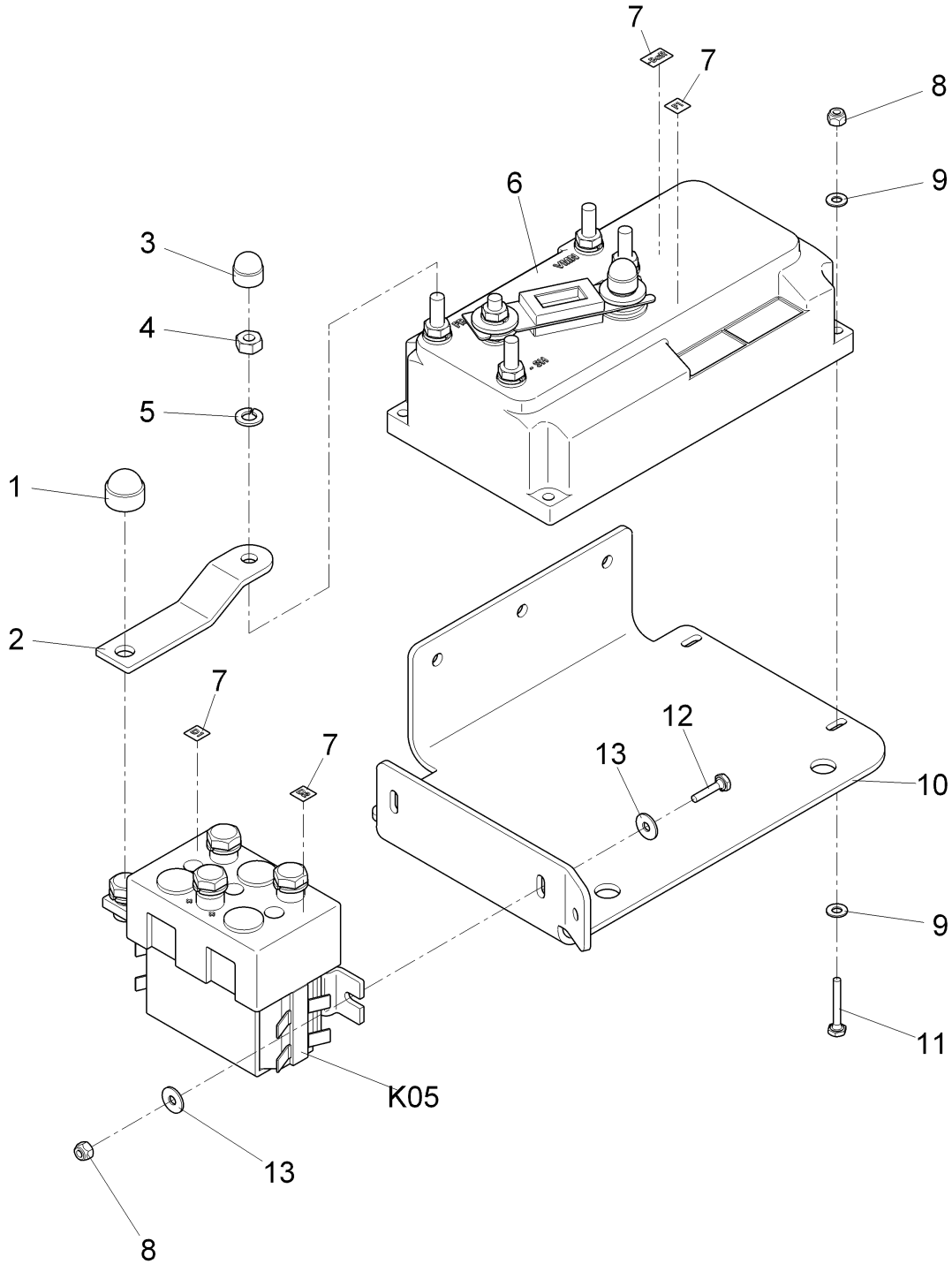
Electrics, part 1 (97116735-1)



Electrics, part 1 (97116735-1)

| Item | Part number | Description | Qty. | Remarks |
|-------------|--------------------|--------------------|-------------|----------------|
| X01 | 01075720 | Connector | 2 | |

Driving control (97115389)

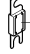



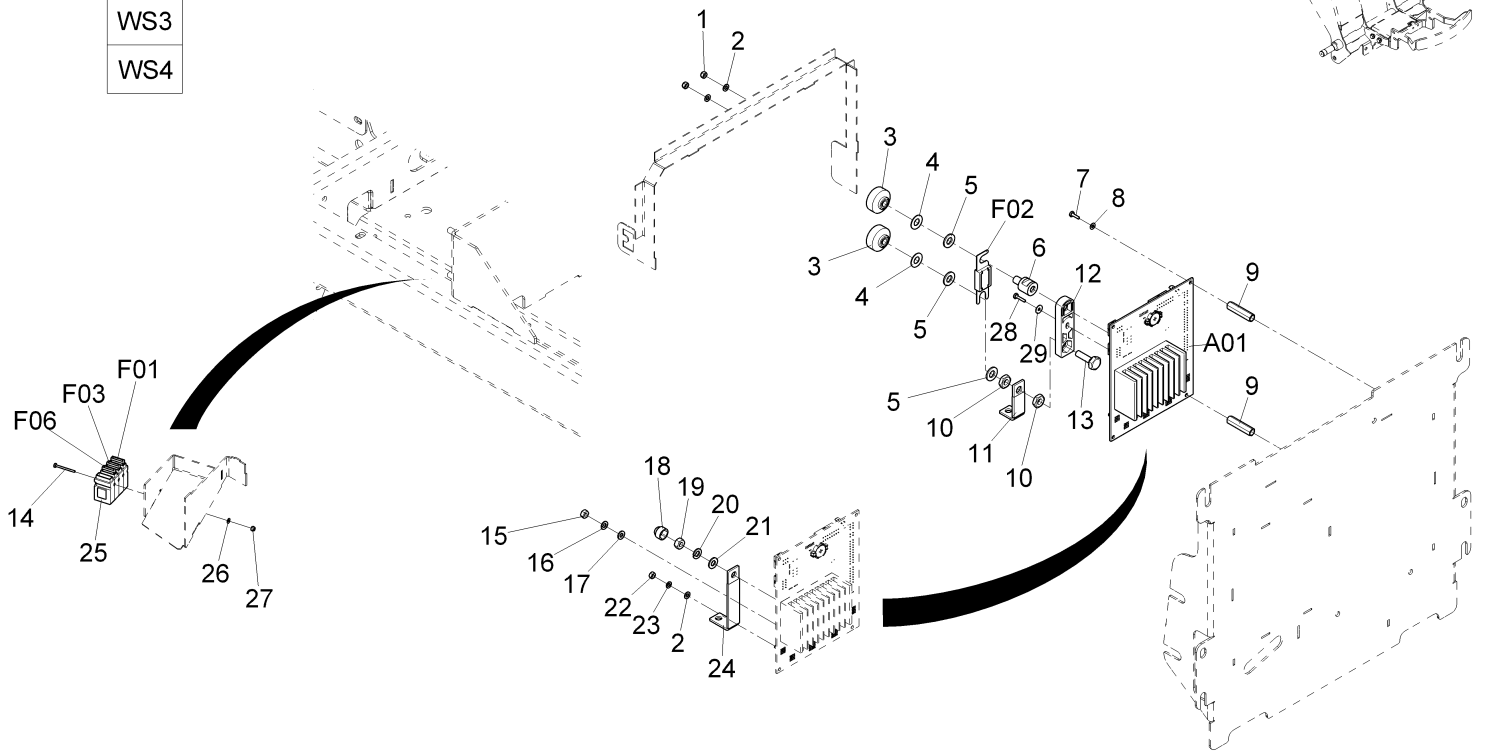
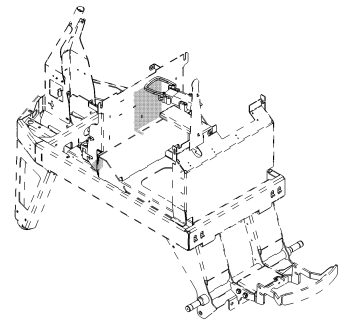
Driving control (97115389)

| Item | Part number | Description | Qty. | Remarks |
|------|-------------|---------------------|------|---------|
| 1 | 00131610 | Lens cap | 1 | |
| 2 | 01274240 | Current bar | 1 | |
| 3 | 00525910 | Lens cap | 3 | |
| 4 | 00053330 | Hexagon nut | 1 | |
| 5 | 00053400 | Lock washer | 1 | |
| 6 | 01079060 | Driving control | 1 | |
| 7 | 03003000 | Transparency | 1 | |
| 8 | 00133830 | Hex. Nut | 6 | |
| 9 | 00053710 | Washer | 8 | |
| 10 | 01274250 | Cooling plate | 1 | |
| 11 | 00903280 | Hex.bolt | 4 | |
| 12 | 00523520 | Hex.bolt | 2 | |
| 13 | 00557150 | Washer | 4 | |
| K05 | 01079030 | Reversion contactor | 1 | |

Electrics, part 2 (97116735-2)

| |
|-----|
| W2 |
| W3 |
| W4 |
| W6 |
| W7 |
| WS3 |
| WS4 |

Further fuses from fuse-kit
 30 from A04
 F07 31

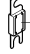



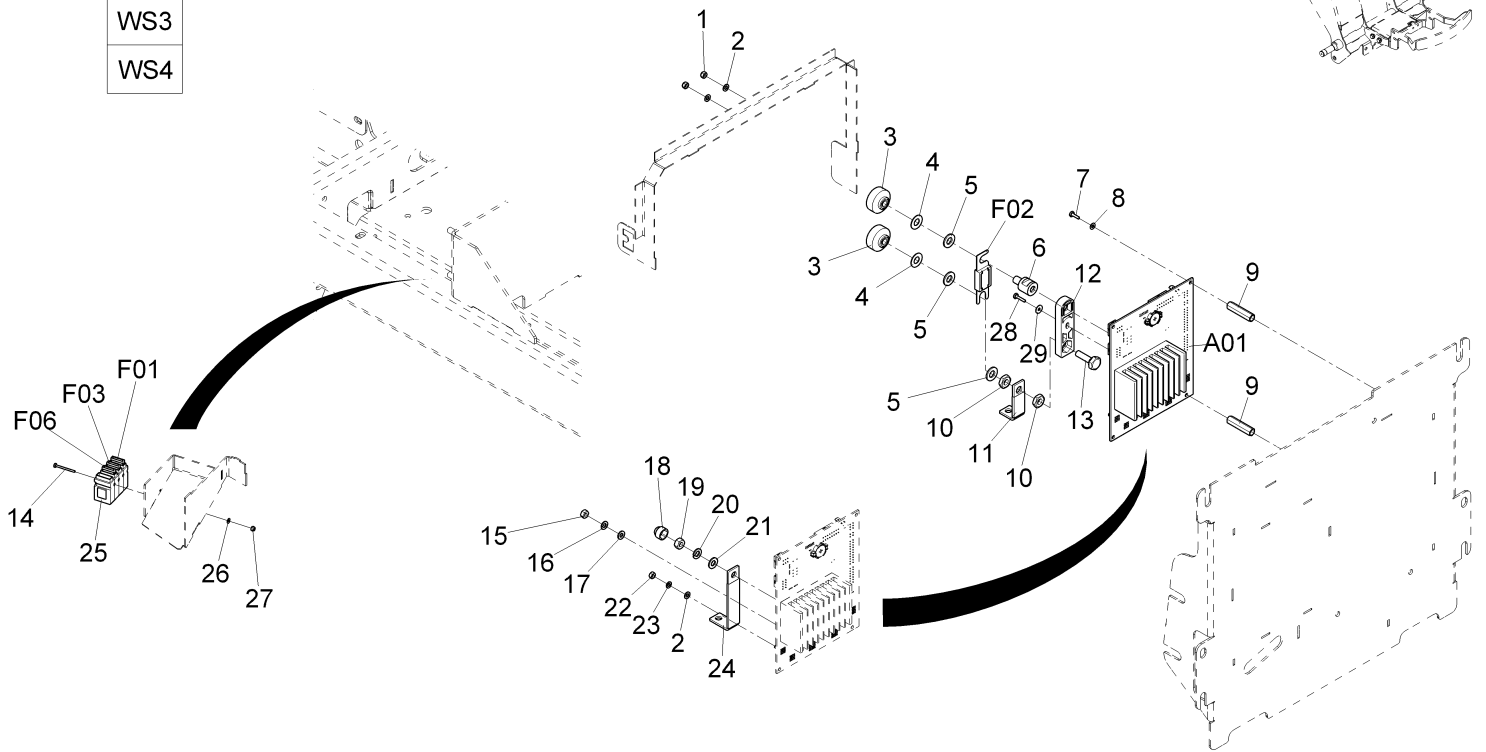
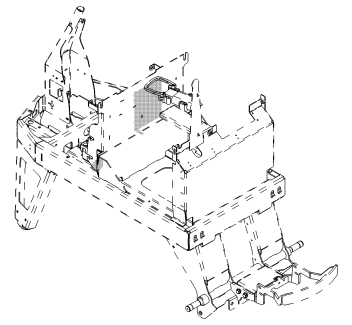
Electrics, part 2 (97116735-2)

| Item | Part number | Description | Qty. | Remarks |
|------|-------------|----------------------|------|------------------------|
| 1 | 00051340 | Hexagon nut | 2 | |
| 2 | 00053720 | Washer | 4 | |
| 3 | 01273870 | Knurled knob | 2 | |
| 4 | 00053860 | Spring washer | 2 | |
| 5 | 01273880 | Washer | 3 | |
| 6 | 01273940 | Screw | 1 | |
| 7 | 00023080 | Hex.bolt | 3 | |
| 8 | 00053710 | Washer | 3 | |
| 9 | 01273950 | Screwing | 4 | |
| 10 | 01273860 | Hexagon nut | 2 | |
| 11 | 01274080 | Current bar | 1 | |
| 12 | 01273930 | Fuse holder | 1 | |
| 13 | 01273850 | Hexagon screw | 1 | |
| 14 | 01072070 | Fillister-head screw | 2 | |
| 15 | 00053330 | Hexagon nut | 3 | |
| 16 | 00053400 | Lock washer | 3 | |
| 17 | 00053730 | Washer | 3 | |
| 18 | 00131610 | Lens cap | 1 | |
| 19 | 00053350 | Hexagon nut | 1 | |
| 20 | 00053410 | Lock washer | 1 | |
| 21 | 00053750 | Washer | 1 | |
| 22 | 00053320 | Hex. Nut | 2 | |
| 23 | 00054170 | Lock washer | 2 | |
| 24 | 01274070 | Current bar | 1 | |
| 25 | 00733650 | Fuse holder | 4 | |
| 26 | 00553740 | Washer | 2 | |
| 27 | 00022200 | Hex. Nut | 2 | |
| 28 | 00523520 | Hex.bolt | 1 | |
| 29 | 00557150 | Washer | 1 | |
| 30 | 01058960 | Fuse | 1 | from drive control A04 |
| 31 | 00733630 | Fuse | 1 | |
| A01 | 01273590 | Controller | 1 | |
| F01 | 00509550 | Fuse | 1 | Control voltage |
| F02 | 00059580 | Fuse | 1 | |
| F03 | 00906120 | Fuse | 1 | Horn |
| F06 | 00906120 | Fuse | 1 | Work light |

Electrics, part 2 (97116735-2)

| |
|-----|
| W2 |
| W3 |
| W4 |
| W6 |
| W7 |
| WS3 |
| WS4 |

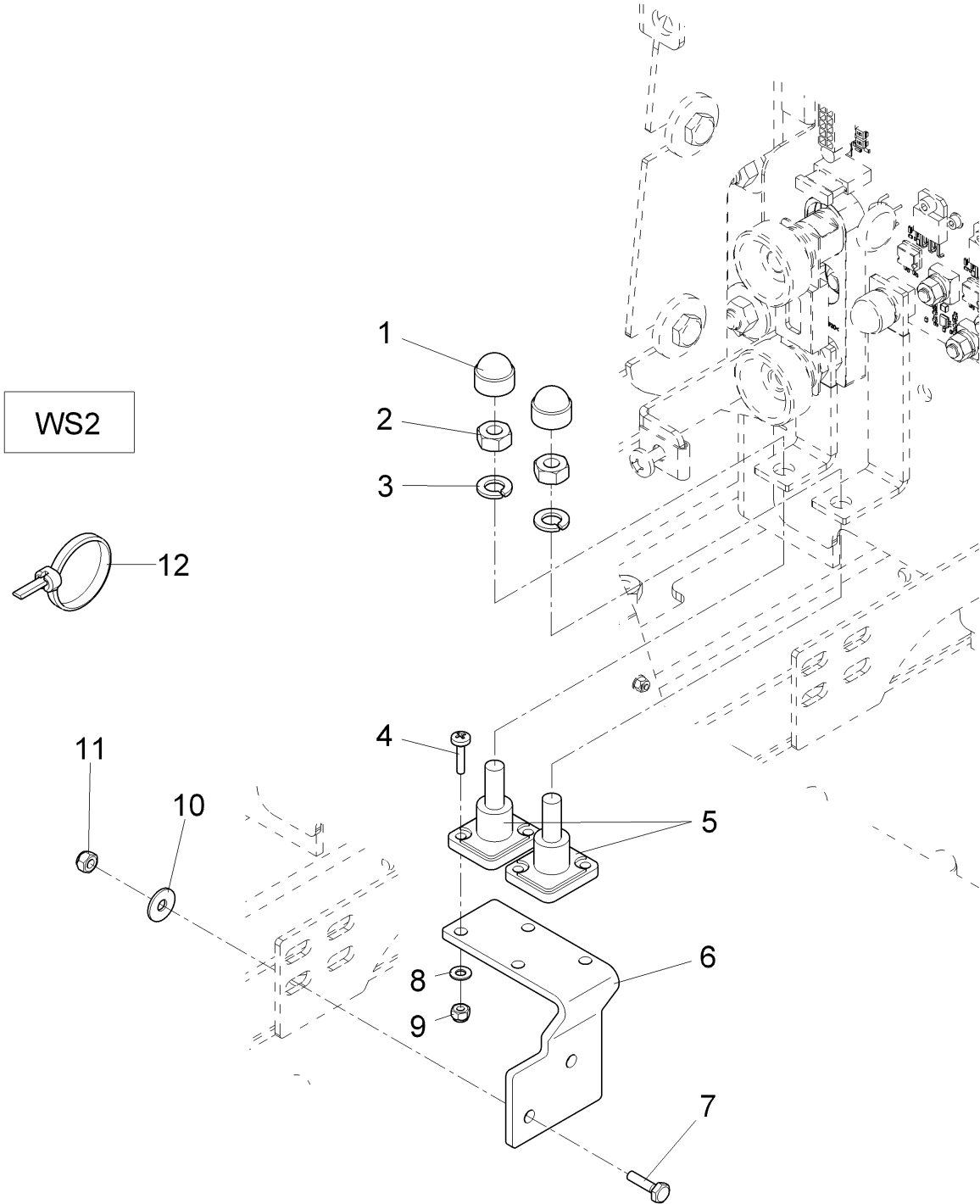
Further fuses from fuse-kit
 30 from A04
 F07 31



Electrics, part 2 (97116735-2)

| Item | Part number | Description | Qty. | Remarks |
|-------------|--------------------|--------------------|-------------|-----------------|
| F07 | 00972430 | Fuse link | 1 | Solution dosage |
| W2 | 03009890 | Wiring harness W2 | 1 | |
| W3 | 03009910 | Wiring harness W3 | 1 | |
| W4 | 03009920 | Wiring harness W4 | 1 | |
| W6 | 03010480 | Wiring harness W6 | 1 | |
| W7 | 03010490 | Wiring harness W7 | 1 | |
| WS3 | 03010500 | Wiring harness WS3 | 1 | |
| WS4 | 03010510 | Wiring harness WS4 | 1 | |

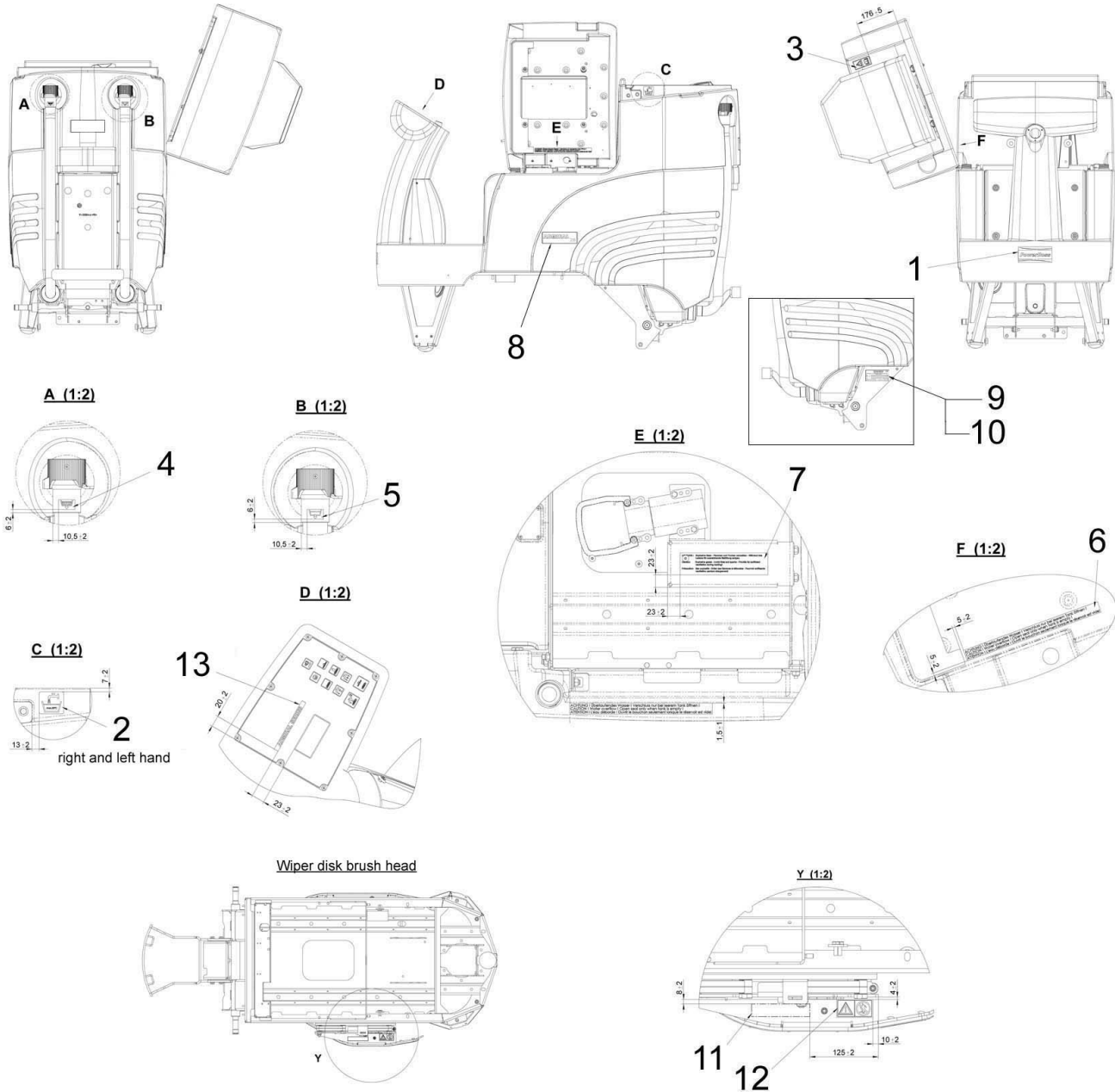
Wiring without On-board-charger (97116743)



Wiring without On-board-charger (97116743)

| Item | Part number | Description | Qty. | Remarks |
|------|-------------|----------------------|------|---------|
| 1 | 00131610 | Lens cap | 2 | |
| 2 | 00053350 | Hexagon nut | 2 | |
| 3 | 00053410 | Lock washer | 2 | |
| 4 | 00731550 | Fillister-head screw | 4 | |
| 5 | 00744670 | Single clamp | 2 | |
| 6 | 01274460 | Retainer | 1 | |
| 7 | 00054410 | Hex.bolt | 2 | |
| 8 | 00053710 | Washer | 4 | |
| 9 | 00133830 | Hex. Nut | 4 | |
| 10 | 00555520 | Washer | 2 | |
| 11 | 00051340 | Hexagon nut | 2 | |
| 12 | 00121010 | Cable tie | 1 | |
| WS2 | 03010530 | Wiring harness WS2 | 1 | |

Labels (97116586)



Labels (97116586)

| Item | Part number | Description | Qty. | Remarks |
|------|-------------|-----------------------------|------|---------|
| 1 | 03008970 | Decal POWERBOSS | 1 | |
| 2 | 01074400 | Decal caustic solution tank | 2 | |
| 3 | 01071710 | Decal "Instruction manual" | 1 | |
| 4 | 01170060 | Decal FOUL WATER | 1 | |
| 5 | 01170150 | Decal SOLUTION TANK | 1 | |
| 6 | 01175810 | Decal CAUTION | 2 | |
| 7 | 01174740 | Decal explosive gazes | 1 | |
| 8 | 03010950 | Decal Admiral 28 | 2 | |
| 9 | 03008410 | Type plate POWERBOSS | 1 | |
| 10 | 01073790 | Blind rivet | 2 | |
| 11 | 01273910 | Decal 750/30 | 1 | |
| 12 | 01272760 | Decal KEEP OFF | 1 | |
| 13 | 03008010 | Decal ADMIRAL SERIES | 1 | |

Warranty Information

Revision F
Effective November 1, 2008
PowerBoss Made Simple Industrial Limited Warranty

Minuteman International owner of PowerBoss warrants to the original purchaser/user that the product is free from defects in workmanship and materials under normal use. PowerBoss will, at its option, repair or replace without charge, parts that fail under normal use and service when operated and maintained in accordance with the applicable operation and instruction manuals. All warranty claims must be submitted through and approved by factory authorized repair stations.

This warranty does not apply to normal wear, or to items whose life is dependent on their use and care. Parts not manufactured by PowerBoss are covered by and subject to the warranties and/or guarantees of their manufacturers. Please contact Minuteman International for procedures in warranty claims against these manufacturers.

Special warning to purchaser -- Use of replacement parts not manufactured by PowerBoss or its designated licensees, will void all warranties expressed or implied. A potential health hazard exists without original equipment replacement.

All warranted items become the sole property of Minuteman International or PowerBoss or its original manufacturer, whichever the case may be.

PowerBoss disclaims any implied warranty, including the warranty of merchantability and the warranty of fitness for a particular purpose. PowerBoss assumes no responsibility for any special, incidental or consequential damages.

This limited warranty is applicable only in the U.S.A. and Canada, and is extended only to the original user/purchaser of this product. Customers outside the U.S.A. and Canada should contact their local distributor for export warranty policies. PowerBoss is not responsible for costs or repairs performed by persons other than those specifically authorized by PowerBoss. This warranty does not apply to damage from transportation, alterations by unauthorized persons, misuse or abuse of the equipment, use of non-compatible chemicals, or damage to property, or loss of income due to malfunctions of the product. If a difficulty develops with this machine, you should contact the dealer from whom it was purchased.

This warranty gives you specific legal rights, and you may have other rights, which vary from state to state. Some states do not allow the exclusion or limitation of special, incidental or consequential damages, or limitations on how long an implied warranty lasts, so the above exclusions and limitations may not apply to you.

| | Travel* | Labor | Parts | Engine | Extended Warranty | Costs |
|----------------------|-------------|------------|----------------------|------------------------|---|-------|
| Walk behinds | | | | | | |
| Battery sweepers | Ninety days | One year | One year | N/A | 2 years Parts + Labor (or 2000 Hours) | 2% |
| IC sweepers | Ninety days | One year | One year | Through manufacturer | 2 years Parts + Labor (or 2000 Hours) | 2% |
| Battery scrubbers | Ninety days | Two years | Three years | N/A | 3 Years Parts + Labor (or 3000 Hours) | 2% |
| | | | | | | |
| Riders | | | | | | |
| Battery scrubbers | Ninety days | Two years | Three years/2000 hrs | N/A | 3 Years Parts + Labor (or 3000 Hours) | 2% |
| IC sweeper/scrubbers | Ninety days | Six months | Two years/2000 hrs | Two years/3000 hrs** | 2 years Parts + Labor (or 2000 Hours) | 3% |
| IC sweepers | Ninety days | Six months | Four years/3000 hrs | Five years/3000 hrs** | 4 Years Parts + 2 Years Labor (or 4000 Hours) | 3% |
| | | | | | | |
| Exceptions | | | | | | |
| Apex series sweeper | Ninety days | One year | One year/1000 hrs | One year/1000 hrs** | 2 years Parts + Labor (or 2000 Hours) | 3% |
| 6X sweeper | Ninety days | Six months | Two years/2000 hrs | Two years/2000 hours** | 2 years Parts + Labor (or 2000 Hours) | 3% |

Tank Bladders Eight years/ no additional labor
Polypropylene plastic tanks Ten years/ no additional labor
Batteries 0-3 months full replacement, 4-12 prorated credit
Chargers One-year replacement
Replacement parts Ninety days

*Two-hour cap

**Through engine manufacturer. See section 3 of warranty manual for engine warranty exceptions

*** Based upon dealer's certification status

Extended Warranty MUST be signed up within 30 days of delivery to End User (Dealer has 1Year from Receiving Machine to Sign up extended Warranty)

Extended Warranty Cost is based on Invoice Price multiplied by the Percentage listed in the Extended Warranty Column

All above labor and travel reimbursed at 65 or 75% of the published shop rate.



“The Power of Clean”

PowerBoss Is A Full Line Manufacturer Of Sweepers and Scrubbers For Industrial Facilities.

PowerBoss, Inc 175 Anderson Street P.O. Box 1227- Aberdeen North Carolina 28315

Phone: 800-982-7141 - Fax: 1-800-277-7141 Local: 910-944-2105 Fax: 910-944-7409 e-mail: techsupport@powerboss.com

A Member Of The Hako Group